

No:91043968

Geräteliste

Teil	Beschreibung	Sachnummer	Position
A1	Steuerung Modul 1 / 36V	97176333	16.6A, 11.1C, 11.5D, 12.1C, 12.3D, 13.2C, 13.3D, 14.8E, 14.9E, 16.5A, 20.1A, 20.4A, 23.2A, 23.4A, 24.5A, 24.6A, 26.1A, 26.2A, 27.6A, 27.6A
A2	Steuerung Anzeige controller display	97160949	30.4B, 10.1C, 10.5D, 16.6A, 16.7A, 24.2A, 24.2A, 27.1F, 27.2G
A4	Fahrsteuerung AC 36V 250A 36V/250A	97186100	16.6E, 16.3D, 17.1D, 17.2D, 26.4A, 26.5A
A5	Steuerung Fahren Heck 36V/250A drive controller rear 36V/250A	97186142	26.5G, 18.1C, 18.3D, 26.4F
A6	Steuerung Modul 1 / 36V	97176333	27.8A, 11.7C, 11.8D, 12.7C, 12.8D, 13.4C, 13.5D, 14.1E, 14.4E, 15.1D, 15.5D, 20.6A, 20.7A, 21.6A, 21.7A, 24.6A, 24.7A, 25.2A, 25.2A, 27.7A
A10	Steuerung Chemiepumpe controller chemical pump	97148605	27.4A, 24.3D, 24.3E, 27.4A
A20	Fleetrekorder fleetrecorder	92058015	23.1D, 23.2D
B3	Fahrgeber accelerator	97131882	16.4F
B4	Drucksensor Frischwassertank	92013481	11.7A
B5	Drucksensor Schmutzwassertank pressure sensor dirty water tank	92013481	11.8A
B7	Lenkwinkelgeber steering unit	92036813	19.3C
B8	Winkelsensor teilredundant	97183669	19.5C
B18	Durchflussmengenmesser flow meter	90596529	11.5A
B20	I-Button reader I-Button reader	97131429	23.3D, 23.3D
B27	Kamera camera	92701325	25.3D
B27	Kamera camera	92091594	25.5F
C1	Entstörkondensator 100mm	97182844	10.4F
E1	Arbeitsscheinwerfer links working headlight left	92080324	20.1D
E2	Blitzleuchte Fahrerschutzdach flashlight overhead cover	97084222	20.3F
E2	Blitzleuchte Fahrerschutzdach flashlight overhead cover	97177240	20.4F
E5	Mehrkammerleuchte hinten links combination light rear left	92042811	22.4E
E6	Mehrkammerleuchte hinten rechts combination light rear right	92042811	22.6E
E7	Blinker vorne links indicator front left	92073865	22.1F

Teil	Beschreibung	Sachnummer	Position
E8	Blinker vorne rechts indicator front right	92073865	22.7F
E9	Blinker links seitlich indicator side left	92073865	22.2F
E10	Blinker rechts seitlich indicator side right	92073865	22.7F
E11	Arbeitsscheinwerfer rechts working headlight right	92080324	20.2D
E12	Arbeitsscheinwerfer hinten working headlight rear	92080324	20.2G
E14	BlueSpot Lenkturm LED bluespot steering unit LED	97162085	20.8F
E15	BlueSpot hinten LED bluespot rear LED	97162085	20.7F
E16	Blue Spot am Halter LED blue spot at holder LED	97162085	20.9F
E17	BlueSpot FSD LED bluespot overhead cover LED	97162085	20.10F
E18	Abblendscheinwerfer LED driving light LED	92053073	22.2F
E19	Abblendscheinwerfer rechts LED driving light right LED	92053073	22.8F
E21	Blitzleuchte am Stab flashlight at bar	97084222	20.5F
E21	Blitzleuchte am Stab flashlight at bar	97177240	20.6F
E22	Positionsleuchte links vorne position light front left	97155436	22.3F
E23	Positionsleuchte rechts vorne position light front right	97155436	22.9F
E24	Laser 10-30V	92096684	24.8E
F1	Sicherung Schlüsselschalter 7,5A fuse keyswitch 7,5A	19731587	8.5E, 8.2D
F2	Sicherung Steuerung A1 125A fuse controller A1 125A	19731140	8.2D, 8.2D
F3	Sicherung Fahren 355A fuse drive 355A	19731372	8.1D, 8.1D, 8.1D
F8	Sicherung Steuerung A6 125A fuse Steuerung A6 125A	19731140	8.2D, 8.3D
F9	Sicherung Lenken 30A fuse steering 30A	19731595	8.3D, 8.4D
F10	Sicherung Hochdruckreiniger 80A fuse high-pressure cleaner 80A	19731520	8.4D, 8.4D
F11	Sicherung StVZO 15A fuse road traffic act 15A	19731207	8.7E
F19	Sicherung Hupe / Fleet 5A fuse horn / fleet 5A	19731272	8.6E
F20	Sicherung Anzeige 5A fuse display 5A	19731272	8.6E
F30	Sicherung Positionsleuchte li 5A fuse position light left 5A	19731181	22.3B
F31	Sicherung Positionsleuchte re 5A fuse position light right 5A	19731181	22.4B
F32	Sicherung Abblendlicht 5A fuse low-beam headlights 5A	19731181	22.2B
F33	Sicherung Bremslicht 5A fuse brake light 5A	19731181	21.6B
F34	Sicherung Rückfahrlicht 5A fuse backup light 5A	19731181	21.6B
F35	Sicherung Blinkgeber 5A fuse flasher unit 5A	19731181	21.5B
G1	Batterie 36V 320A 810Ah battery 36V 320A 810Ah	92016385	8.2A
G1	Batterie 36V 320A 540Ah battery 36V 320A 540Ah	92015270	8.3A

Freigabevermerk:

5

/

4488-99

26.03.2024

Zi

Drawn 11.09.2023

Ri/Zi

Verified

27.03.2024

B400R

Name Schaltplan B400 R (Geräteliste)
Replacement for
circuit diagram B400 R (Device List)

91043968-4488-96

For this drawing we reserve all rights (acc. DIN ISO 16016)



Hako GmbH
D-23840 Bad Oldesloe

Drawing Number

91043968

A2

1

2

3

4

5

6

7

8

9

10

11

No:91043968

Geräteliste

Teil	Beschreibung	Sachnummer	Position
G1	Batterie battery	92144054	27.4G, 8.8A, 27.4G
H1	Hupe 335Hz horn 335Hz	90194911	10.4F
K1	Hauptschütz 36V main contactor 36V	92004282	8.2F, 8.2F, 8.2F, 8.2F, 8.3F
K2	Relais Fahrsteuerung 150A / 36V	92027176	17.4B
K3	Relais Fahrsteuerung Heck relay drive controller rear	92027176	18.1B
K4	Relais EM-Bremse vor. zw. Kontakte	92149947	17.7D
K6	Relais EM-Bremse vor. zw. Kontakte	92149947	17.7E
K8	Umpolungsrelais 36V	92134709	15.6F
K9	Relais EM-Bremse Selbsth. zw. Kontakte	92149947	17.8B
K20	Blinkgeber flasher unit	92076470	21.7F
K29	Relais Pumpe HDR relays high pressure pump	90267949	23.5E
K31A	Micro-Relais 24V micro-relay 24V	90567777	21.2D
K31B	Micro-Relais 24V micro-relay 24V	90567777	21.8E
M1	Fahrmotor Front 36V/4,8kW	97151526	17.3G
M2	Fahrmotor Heck drive motor rear	92030733	18.5G
M3	Tellerbürstenmotor links TB1230 plate brush motor left TB1230	90577248	12.2G
M3	Tellerbürstenmotor links TB1520 plate brush motor left TB1520	92012830	13.2G
M4	Tellerbürstenmotor rechts TB1230 plate brush motor right TB1230	90577248	12.3G
M4	Tellerbürstenmotor rechts TB1520 plate brush motor right TB1520	92012830	13.3G
M5	Tellerbürstenmotor mitte TB1230 plate brush motor middle TB1230	90577248	12.5G
M5	Tellerbürstenmotor mitte TB1520 plate brush motor middle TB1520	92012830	13.4G
M6	Hydraulikmotor 36V hydraulic motor 36V	97162549	15.8F
M7	Wasserrecyclingpumpe water recycling pump	97166722	24.5E
M8	Wasserpumpe Water pump	97166722	11.5G
M9	Hubelement Bürstendeck 24V actuator brush deck 24V	92023332	12.2B
M10	Hubelement Saugfuß actuator squeegee	92005727	12.4B
M13	Hubelement Kehrwalze actuator sweeping broom	92023332	14.6B
M13	Hubelement Kehrwalze actuator sweeping broom	92023332	15.6A
M16	Saugmotor 36V suction motor 36V	97142475	12.5B
M17	Saugmotor 36V suction motor 36V	97142475	12.6B
M19	Motor Seitenbesen rechts motor side broom right	92019017	14.4B
M19	Motor Seitenbesen rechts motor side broom right	92019017	15.3A
M20	Motor Seitenbesen links motor side broom left	92014455	14.5B
M20	Motor Seitenbesen links motor side broom left	92014455	15.4A

Teil	Beschreibung	Sachnummer	Position
M21	Motor Kehrwalze motor sweeping broom	92022524	14.2B
M21	Motor Kehrwalze 36V 600W motor sweeping broom 36V 600W	92022524	15.2A
M23	Lenkeinheit 36V steer by wire	92145770	17.8A, 17.7A, 19.1E, 19.3F, 26.1F, 26.2G
M24	Rüttelmotor 36V vibration motor 36V	92072560	14.8B
M24	Rüttelmotor 36V vibration motor 36V	92072560	15.7A
M25	Saugmotor 36V suction motor 36V	92072560	14.8B
M25	Saugmotor 36V suction motor 36V	92072560	15.8A
M27	Hubelement Behälter drehen 24V actuator container move 24V	92037274	15.5F
M29	Hochdruckpumpe high pressure pump	92048305	23.6G
M30	Lüfter 48V	97183214	16.9B
P2	Signalgeber buzzer	90324260	30.1C, 11.4E
P27	Monitor display	90850876	25.3D
P27	Monitor display	97171128	25.4G
R20	Lenkwinkelpotentiometer 5kΩ steer angle potentiometer 5kΩ	92017995	30.8H, 18.2F
R29	Widerstand R1k resistor R1k	19245018	23.8D
R102	Widerstand 2,7kΩ resistor 2,7kΩ	19245258	23.4C
R200	Spannungsteiler 5V	97187058	30.4E, 17.1G
S1	Schlüsselschalter key switch	90323437	30.9C, 9.2C, 30.1C
S2	Schalter Bremse entriegelt switch brake released	97157512	18.4F
S5	Sitzschalter seat switch	90690694	11.5A
S6	Warnblinkschalter 12V hazard warning switches 12V	19255546	30.1B, 21.3E
S11	Schlitzschalter Behälter 30° switch container position 30°	97157512	15.2G
S12	Schlitzschalter Behälter unten switch container lowered	97157512	15.3G
S13	Schlitzschalter Behälter zu switch container closed	97157512	15.3G
S15	Fussbremstaster foot brake switch	90472176	30.9F, 16.6F
S20	Lenkstockschalter Stalk switch	97164750	30.1B, 21.6E
S29	Taster HDR EIN switch HDR on	97100986	23.7F
T1	DC/DC Wandler 18-54V - 12,5V DC/DC converter 18-54V - 12,5V	92076488	21.2F
V1	Diode	97182752	10.3F
V2	Freilaufdiode	97182752	17.6G
W62	Monitorkabel 0,80m cable monitor 0,80m	92097823	25.3G
W63	Kamerakabel-6pol. 5m cable camera 6pol. 5m	92097799	25.5F
W100	Adapter DIN - Anderon 0,3m adapter DIN - Anderson 0,3m	92134808	8.6B

Freigabevermerk:

5

/

4488-99

26.03.2024

Zi

27.03.2024

Printed

Verified

Drawn

Ri/Zi

Date

Name

B400R

Name Schaltplan B400 R (Geräteliste)
circuit diagram B400 R (Device List)

Replacement for

91043968-4488-96

For this drawing we reserve all rights (acc. DIN ISO 16016)



Hako GmbH

D-23840 Bad Odesloe

Drawing Number

91043968

No. of Sh.33

Sheet 2

A2

Engineering Base 7.2.0

Type 7437

Dept. DS

No. of Sh.33

Sheet 2

Geräteliste

Teil	Beschreibung	Sachnummer	Position
X43	Massebolzen M10 Ground point M10	19789353	9.9E, 9.9E, 9.9E, 9.9F, 9.9F, 9.10E, 9.10F, 9.10F, 9.10F, 9.11F
X97	USB 4-pol. Amphenol USB 4-pol. Amphenol	92005412	11.2G
Y1	Wasserventil water valve	90435595	11.6E
Y3	Ventil Wasserrecycling valve waterrecycling	90435595	24.6E

Freigabevermerk:

5

/

4488-99

26.03.2024

Zi

Drawn

11.09.2023

Ri/Zi

B400R

Name Schaltplan B400 R (Geräteliste)
circuit diagram B400 R (Device List)

Replacement for
91043968-4488-96



Drawing Number
91043968

A2


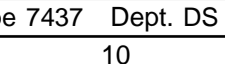
No. Number appears Change No. Date Name Printed 27.03.2024

For this drawing we reserve all rights (acc. DIN ISO 16016) Engineering Base 7.2.0 Type 7437 Dept. DS No. of Sh.33 Sheet 3


No: 91043968

10 Pins

Name	Position	Name	Position	Name	Position	Name	Position	Name	Position	Name	Position	Name	Position	Name	Position	Name	Position	Name	Position
A1/X1/1	12.1C	A1/X14/1	11.1C	A2/X104/10	10.3D	A5/A/8	18.2E	A6/X12/1	24.7B	A6/X16/5	14.1F	B20/3	23.3E	E21.1/1	20.5F	K1/K2/1	8.3F	K20/2	21.7G
A1/X2/1	12.1D	A1/X14/2	11.2C	A2/X105/1	27.2F	A5/A/10	18.3E	A6/X12/4	20.7B	A6/X18/1	27.8B	B20/4	23.4E	E21.1/2	20.5G	K1/K3/1	8.3F	K20/3	21.7G
A1/X3/1	12.2D	A1/X14/3	11.2D	A2/X105/2	27.2F	A5/A/11	18.5C	A6/X12/5	15.6E	A6/X18/5	27.8B	C1/1	10.4F	E22/1	22.3F	K1/K3/2	8.3F	K20/4	21.8F
A1/X3/2	13.2D	A1/X14/4	11.2D	A2/X105/5	27.2F	A5/A/12	18.2E	A6/X12/6	21.7B	A6/X22/1	11.8D	C1/2	10.4F	E22/2	22.3G	K1/K4/1	8.3F	K20/5	21.7F
A1/X4/1	12.2D	A1/X14/5	11.6C	A2/X106/1	10.5D	A5/A/13	18.4C	A6/X12/7	21.7B	A10/X1/1	24.3D	E1/1	20.1D	E23/1	22.9F	K2/A/N/1	17.4C	K20/6	21.7F
A1/X4/2	13.2D	A1/X14/6	11.1D	A2/X109/1	16.7B	A5/A/14	18.2C	A6/X12/9	15.6E	A10/X1/2	24.3D	E1/2	20.1E	E23/2	22.9G	K2/A/P/1	17.4B	K20/7	21.7G
A1/X5/1	12.3D	A1/X14/8	11.2D	A2/X109/2	16.7B	A5/A/15	18.2C	A6/X12/10	20.8B	A10/X1/3	27.4B	E2.1/1	20.3F	E24/1	24.8E	K2/K/N/1	17.4C	K20/8	21.8G
A1/X5/2	13.3D	A1/X14/9	11.2D	A2/X109/3	16.7B	A5/A/16	18.6E	A6/X12/11	24.7B	A10/X1/4	27.5B	E2.1/2	20.3G	E24/3	24.8E	K2/K/P/1	17.4B	K20/9	21.7G
A1/X6/1	12.4D	A1/X15/3	11.7C	A2/X109/4	16.7B	A5/A/21	26.5F	A6/X12/14	20.7B	A20/1	23.1D	E5/1	22.4F	F1/1	8.5E	K3/N	18.2C	K29/A1/1	23.6E
A1/X6/2	13.3D	A1/X15/4	11.6C	A4/A/1	16.7D	A5/A/22	26.5F	A6/X12/16	21.7B	A20/2	23.2D	E5/2	22.4E	F1/2	8.5E	K3/N	18.1C	K29/A2/1	23.6E
A1/X7/1	12.5C	A1/X15/5	12.3C	A4/A/2	16.7D	A5/A/27	18.6E	A6/X12/17	21.7B	A20/3	23.2E	E5/3	22.5E	F2/1/1	8.2D	K3/P	18.2B	K29/K1/1	23.5E
A1/X8/1	12.5C	A1/X15/6	11.4C	A4/A/3	16.5E	A5/A/28	18.6E	A6/X12/19	15.5E	A20/4	23.2D	E5/4	22.4E	F2/2/1	8.2D	K3/P	18.1B	K29/K2/1	23.5E
A1/X9/1	12.6C	A1/X15/7	11.4C	A4/A/4	16.5D	A5/A/29	18.6E	A6/X12/20	20.8B	A20/6	23.1E	E5/5	22.4E	F3/2/1	8.1D	K4/1	17.6D	K31A/1	21.2D
A1/X10/1	12.6C	A1/X15/9	23.6B	A4/A/6	16.7E	A5/A/30	18.5C	A6/X13/1	14.7E	A20/7	23.2D	E5/6	22.5E	F3/2/2	8.1D	K4/2	17.6D	K31A/2	21.2D
A1/X11/1	12.2C	A1/X15/10	23.7B	A4/A/7	16.6E	A5/A/31	18.7E	A6/X13/2	25.2B	A20/9	23.2D	E6/1	22.6E	F8/2/1	8.3D	K4/3	17.6E	K31A/3	21.2D
A1/X11/2	12.4C	A1/X15/11	12.4D	A4/A/8	16.5E	A5/A/34	18.7E	A6/X13/3	24.8B	B3/1	16.4F	E6/2	22.6E	F9/1/1	8.4D	K4/4	17.7D	K31A/4	21.2D
A1/X11/3	14.8E	A1/X15/12	12.5D	A4/A/9	16.5E	A5/A/35	18.7E	A6/X13/4	25.3B	B3/2	16.4F	E6/3	22.7E	F9/2/1	8.4D	K4/5	17.6E	K31A/5	21.2D
A1/X11/4	12.2C	A1/X15/15	11.7C	A4/A/11	17.4D	A5/B+/1	18.1C	A6/X13/6	25.3B	B3/3	16.5F	E6/4	22.6E	F10/2/1	8.4D	K4/6	17.7E	K31B/1	21.9E
A1/X11/5	12.4C	A1/X15/16	11.5C	A4/A/12	17.1E	A5/B-/1	18.1E	A6/X13/7	14.6E	B3/4	16.5F	E6/5	22.6E	F11/1	8.7E	K4/8	17.6E	K31B/2	21.9E
A1/X11/6	14.9E	A1/X15/18	11.5C	A4/A/13	17.5D	A5/M1/1	18.5E	A6/X13/8	25.2B	B3/5	16.5F	E6/6	22.7E	F11/2	8.7E	K4/9	17.6E	K31B/3	21.8E
A1/X12/1	11.5D	A1/X15/19	11.5C	A4/A/14	17.5D	A5/M2/1	18.5E	A6/X13/9	24.8B	B3/6	16.5F	E7/1	22.1F	F19/1	8.6E	K6/1	17.6E	K31B/4	21.8E
A1/X12/3	11.3D	A1/X15/21	23.6B	A4/A/15	17.4D	A5/M3/1	18.5E	A6/X13/10	21.8B	B4/1	11.7A	E7/2	22.1G	F19/2	8.6E	K6/2	17.6E	K31B/5	21.8E
A1/X12/4	20.3B	A1/X15/22	23.7B	A4/A/16	17.4E	A6/X1/1	12.9C	A6/X13/11	21.8B	B4/2	11.7A	E8/1	22.7F	F20/1	8.6E	K6/3	17.6F	M1/U	17.3G
A1/X12/5	20.2B	A1/X15/23	12.5D	A4/A/17	16.4D	A6/X2/1	12.9D	A6/X14/1	14.1E	B4/3	11.7B	E8/2	22.7G	F20/2	8.6E	K6/4	17.7E	M1/V	17.3G
A1/X12/6	11.6D	A1/X15/24	12.5D	A4/A/19	17.4E	A6/X3/1	12.8D	A6/X14/5	11.8C	B4/4	11.7B	E9/1	22.2F	F30/1	22.3B	K6/5	17.6F	M1/W	17.3G
A1/X12/7	24.6B	A1/X18/1	27.6B	A4/A/21	26.5B	A6/X3/2	13.4D	A6/X14/6	14.1F	B5/1	11.8A	E9/2	22.2G	F30/2	22.3B	K6/6	17.7F	M1/X1/1	17.4G
A1/X12/8	23.6B	A1/X18/2	27.7B	A4/A/22	26.5B	A6/X4/1	12.8D	A6/X15/3	11.9C	B5/2	11.8A	E10/1	22.7F	F31/1	22.4B	K6/8	17.6F	M1/X1/2	17.4G
A1/X12/10	20.6B	A1/X18/3	26.1B	A4/A/23	17.2E	A6/X4/2	13.5D	A6/X15/4	12.8D	B5/3	11.8B	E10/2	22.7G	F31/2	22.4B	K6/9	17.6F	M1/X1/3	17.5G
A1/X12/11	11.5D	A1/X18/5	27.6B	A4/A/24	16.5D	A6/X5/1	14.2E	A6/X15/5	14.7E	B5/4	11.8B	E11/1	20.2D	F32/1	22.2B	K8/1	15.6F	M1/X1/4	17.5G
A1/X12/13	11.3D	A1/X18/7	26.2B	A4/A/25	16.5D	A6/X5/2	15.2D	A6/X15/6	21.7B	B7/1	19.3C	E11/2	20.2E	F32/2	22.2B	K8/2	15.6G	M1/X2/1	17.5G
A1/X12/14	20.3B	A1/X20/2	23.2B	A4/A/27	17.2E	A6/X6/1	14.2E	A6/X15/8	14.5E	B7/2	19.3D	E12/1	20.2G	F33/1	21.6B	K8/3	15.6F	M1/X2/3	17.5G
A1/X12/15	20.2B	A1/X20/4	23.2B	A4/A/28	17.4E	A6/X6/2	15.1D	A6/X15/9	14.5E	B7/3	19.4D	E12/2	20.2G	F33/2	21.6B	K8/A/1	15.6G	M1/X3/1	17.4G
A1/X12/16	11.6D	A1/X20/5	23.2B	A4/A/29	17.4E	A6/X7/1	15.7E	A6/X15/10	15.3E	B7/4	19.5D	E14/1	20.8F	F34/1	21.6B	K8/B/1	15.6F	M1/X3/2	17.4G
A1/X12/17	24.6B	A1/X22/1	11.7D	A4/A/30	17.2E	A6/X8/1	15.7E	A6/X15/11	15.3E	B7/5	19.4D	E14/2	20.8G	F34/2	21.6B	K8/C/1	15.7F	M1X4/BU/1	17.2G
A1/X12/18	23.6B	A2/VGND	10.5D	A4/A/31	17.5E	A6/X9/1	14.4E	A6/X15/12	15.2E	B7/6	19.4D	E15/1	20.7F	F35/1	21.5B	K8/D/1	15.7G	M1X4/BU/2	17.2G
A1/X12/20	20.6B	A2/X101/1	10.1C	A4/A/34	17.5E	A6/X9/2	15.3D	A6/X15/15	11.8C	B8/1	19.5C	E15/2	20.7G	F35/2	21.5B	K9/1	17.7B	M1X4/BU/3	17.2G
A1/X13/1	12.3C	A2/X101/2	10.2C	A4/A/35	17.5E	A6/X10/1	14.3E	A6/X15/16	12.8D	B8/2	19.5D	E16/1	20.9F	G1.3/X2/1	27.4G	K9/2	17.7B	M1X4/BU/4	17.2G
A1/X13/2	11.4D	A2/X101/4	10.2C	A4/B+/1	17.4D	A6/X10/2	15.3D	A6/X15/18	21.8B	B8/3	19.5D	E16/2	20.9G	G1.3/X2/2	27.5G	K9/3	17.7C	M1X4/BU/5	17.1G
A1/X13/3	23.7B	A2/X101/5	10.3C	A4/B-/1	16.4E	A6/X11/1	14.6E	A6/X15/20	14.4E	B8/4	19.5C	E17/1	20.10F	H1/N	10.4G	K9/4	17.8B	M1X4/ST/1	17.2G
A1/X13/7	12.2C	A2/X101/6	10.3C	A4/M1/1	17.3E	A6/X11/2	15.5E	A6/X15/21	14.5E	B18/1	11.6A	E17/2	20.10G	H1/P	10.4F	K9/5	17.7C	M1X4/ST/3	17.2G
A1/X13/8	11.4D	A2/X101/7	10.1D	A4/M2/1	17.3E	A6/X11/3	14.8E	A6/X15/22	15.4E	B18/2	11.5A	E18/A	22.2G	K1/A1/1	8.2F	K9/6	17.8C	M1X4/ST/5	17.1G
A1/X13/9	23.7B	A2/X104/5	10.3D	A4/M3/1	17.3E	A6/X11/4	14.6E	A6/X15/23	15.3E	B18/3	11.6A	E18/B	22.2F	K1/A2/1	8.2F	K9/8	17.7C	M2/U	18.5G
A1/X13/10	16.6B	A2/X104/6	24.3B	A5/A/4	18.5C	A6/X11/5	15.5E	A6/X15/24	15.2E	B20/1	23.3D	E19/A	22.8G	K1/K1/1	8.2F	K9/9	17.7C	M2/V	18.5G
A1/X13/11	16.5B	A2/X104/8	24.3B	A5/A/6	18.4E	A6/X11/6	14.8E	A6/X16/1	14.1E	B20/2	23.4D	E19/B	22.8F	K1/K1/2	8.3F	K20/1	21.8G	M2/W	18.5G

Freigabevermerk:		5	Integrated acc.	4488-99	26.03.2024	Zi	Date	Name	B400R		Name	Schaltplan B400 R					Drawing Number		A2	
							Drawn	11.11.2020	Zi	Replacement for		circuit diagram B400 R					91043968			
		No.	Number appears	Change No.	Date	Name	Printed	27.03.2024		91043968-4488-96		For this drawing we reserve all rights (acc. DIN ISO 16016)			Engineering Base 7.2.0		Type 7437	Dept. DS	No. of Sh. 33	Sheet 2

1		2		3		4		5		6		7		8		9		10		11	
No: 91043968		10 Pins																			
A	Name	Position	Name	Position	Name	Position	Name	Position	Name	Position	Name	Position	Name	Position	Name	Position	Name	Position	Name	Position	A
M2/X1/1	18.6G	M10/1	12.4B	M23/3	19.2E	S1/2	9.3C	S29/2	23.7F	W3/XS61	10.3F	X11/BU/6	18.5B	X29/ST/2	14.5D	X53/ST/2	15.3E	X68/BU/5	23.7D		
M2/X1/2	18.6G	M10/2	12.4C	M23/4	19.2E	S1/UBat	9.2C	S29/3	23.7F	W3/XS62	10.3G	X11/BU/7	18.5B	X29/ST/2	15.5C	X53/ST/3	15.3E	X68/BU/6	23.6D		
M2/X1/3	18.6G	M13.1/1	14.6B	M23/5	19.3E	S2/1	18.4F	S29/4	23.7F	W3/XS70	19.2D	X11/BU/8	18.6B	X29/ST/5	14.6D	X53/ST/5	15.5E	X68/BU/8	23.6D		
M2/X1/4	18.6G	M13.1/2	14.6C	M23/6	19.1E	S2/2	18.4F	T1/1	21.2F	W3/XS71	19.2D	X11/ST/2	26.5E	X29/ST/5	15.6C	X53/ST/6	15.6E	X68/BU/9	23.7D		
M2/X2/1	18.7G	M13.1/3	14.6C	M23/7	19.2E	S2/3	18.4F	T1/2	21.2G	W3/XS72	26.3D	X11/ST/3	18.4B	X29/ST/6	14.8D	X53/ST/8	15.5E	X68/BU/10	23.7D		
M2/X2/2	18.7G	M13.1/4	14.6B	M23/8	19.2E	S5/1	11.5A	T1/3	21.2F	W3/XS73	26.3D	X11/ST/4	18.5B	X29/ST/6	15.7C	X53/ST/9	15.2E	X68/ST/1	23.6D		
M2/X3/1	18.5G	M13.1/5	14.7C	M23/9	19.4E	S5/2	11.5A	T1/4	21.3F	W3/XS80	17.7D	X11/ST/5	26.5E	X29/ST/7	14.8D	X53/ST/10	15.3E	X68/ST/3	23.6D		
M2/X3/2	18.6G	M13.1/6	14.7B	M23/10	19.4E	S5/3	11.5B	T1/5	21.3G	W3/XS81	17.8E	X11/ST/6	18.5B	X29/ST/7	15.8C	X53/ST/11	15.4E	X68/ST/4	23.7D		
M3.1/N	12.2G	M13.2/1	15.6A	M23/11	19.5E	S5/4	11.5B	T1/6	21.2G	W3/XS82	17.8B	X11/ST/7	18.5B	X29/ST/8	14.7D	X53/ST/14	15.6E	X68/ST/5	23.7D		
M3.1/P	12.2G	M13.2/2	15.6B	M23/12	19.5E	S6/1	21.3E	V1/A	10.3F	W19/XS25	18.2B	X11/ST/7	18.7B	X29/ST/8	15.7C	X53/ST/16	15.5E	X68/ST/6	23.6D		
M3.1/S1/1	12.3G	M13.2/3	15.6B	M23/13	19.5E	S6/2	21.3E	V1/K	10.3F	W19/XS63	18.5C	X11/ST/8	18.7B	X29/ST/9	14.7D	X60/BU/1	9.4C	X68/ST/8	23.6D		
M3.1/S1/2	12.3G	M13.2/4	15.6A	M23/14	17.7A	S6/3	21.3E	V2/A	17.6H	W28/XS16	11.8E	X20/BU/1	12.4E	X29/ST/9	15.7C	X60/BU/4	9.4C	X68/ST/9	23.7D		
M3.2/N	13.2G	M13.2/5	15.6B	M23/15	19.3E	S6/5	21.4E	V2/K	17.6G	W29/XS14	10.5F	X20/BU/2	12.5E	X29/ST/10	14.4D	X60/BU/6	26.3B	X68/ST/10	23.7D		
M3.2/P	13.2G	M13.2/6	15.6A	M23/17	19.3E	S6/8	21.4E	W3/XS1	8.6C	W58/XS18	14.3C	X20/BU/3	12.5E	X29/ST/10	15.4C	X60/BU/11	27.2B	X69/BU/1	20.5F		
M3.2/S1/1	13.2G	M16/A	12.5B	M23/19	19.3E	S6/10	21.4E	W3/XS2	8.5F	W58/XS19	14.4C	X20/BU/4	12.5E	X29/ST/11	14.5D	X60/BU/12	27.2B	X69/BU/2	20.5F		
M3.2/S1/2	13.3G	M16/B	12.5B	M23/21	19.6E	S6/17	21.4E	W3/XS3	8.6F	W59/XS35	15.3B	X20/BU/5	12.5E	X29/ST/11	15.5C	X60/BU/14	26.3B	X69/ST/1	20.5F		
M4.1/N	12.4G	M17/A	12.6B	M23/22	26.2F	S6/18	21.4E	W3/XS4	9.1E	W59/XS36	15.3C	X20/BU/6	12.5E	X29/ST/14	14.6D	X60/BU/16	9.4C	X69/ST/2	20.5F		
M4.1/P	12.3G	M17/B	12.6B	M23/23	26.1F	S11/1	15.2G	W3/XS5	9.3E	W76/XS39	22.2F	X20/ST/1	12.4E	X29/ST/14	15.6C	X63/BU/1	24.5D	X71/BU/1	25.2F		
M4.1/S1/1	12.4G	M19.1/1	14.4B	M24.1/1	14.8C	S11/2	15.2G	W3/XS6	9.4E	W76/XS41	22.2H	X20/ST/1	13.5E	X29/ST/15	14.8D	X63/BU/2	24.6D	X71/BU/2	25.2F		
M4.1/S1/2	12.4G	M19.1/2	14.4B	M24.1/2	14.8B	S11/3	15.2G	W3/XS7	25.2B	W77/XS40	22.7F	X20/ST/2	12.5E	X29/ST/15	15.7C	X63/BU/3	24.6D	X71/BU/6	25.2F		
M4.2/N	13.3G	M19.1/3	14.4B	M24.2/1	15.7B	S12/1	15.3G	W3/XS8	27.2D	W77/XS42	22.8H	X20/ST/2	13.6E	X29/ST/16	14.9D	X63/BU/4	24.6D	X71/ST/1	25.2F		
M4.2/P	13.3G	M19.1/4	14.4B	M24.2/2	15.7A	S12/2	15.3G	W3/XS10	27.6D	W79/XS43	21.2C	X20/ST/3	12.5E	X29/ST/16	15.8C	X63/ST/1	24.5D	X71/ST/2	25.2F		
M4.2/S1/1	13.4G	M19.2/1	15.3A	M25.1/1	14.8C	S12/3	15.3G	W3/XS11	27.2D	W79/XS44	21.2E	X20/ST/3	13.6E	X29/ST/17	14.6D	X63/ST/2	24.6D	X71/ST/6	25.2F		
M4.2/S1/2	13.4G	M19.2/2	15.3B	M25.1/2	14.8B	S13/1	15.3G	W3/XS13	27.6D	W79/XS45	21.4G	X20/ST/4	12.5E	X29/ST/17	15.6C	X63/ST/3	24.6D	X72/BU/1	25.2D		
M5.1/N	12.5G	M19.2/3	15.3A	M25.2/1	15.8B	S13/2	15.4G	W3/XS14	27.4D	W79/XS46	21.5A	X20/ST/4	13.5E	X43/A/1	9.9E	X63/ST/4	24.6D	X72/BU/2	25.2D		
M5.1/P	12.5G	M19.2/4	15.3B	M25.2/2	15.8A	S13/3	15.3G	W3/XS15	26.2D	W79/XS47	22.3A	X20/ST/5	12.5E	X43/A/2	9.9F	X65/BU/1	20.3F	X72/BU/3	25.2D		
M5.1/S1/1	12.5G	M20.1/1	14.5B	M27/1	15.5F	S15/B	16.6G	W3/XS16	27.5D	W79/XS49	22.3C	X20/ST/5	13.6E	X43/A/3	9.9F	X65/BU/2	20.3F	X72/ST/1	25.2D		
M5.1/S1/2	12.5G	M20.1/2	14.5B	M27/2	15.4G	S15/P	16.6F	W3/XS17	11.6B	W79/XS50	22.2C	X20/ST/6	12.5E	X43/A/4	9.9E	X65/ST/1	20.3F	X72/ST/2	25.2D		
M5.2/N	13.5G	M20.1/3	14.5B	M29/N	23.6G	S20/X1/1	21.7F	W3/XS18	17.2F	W79/XS52	22.6C	X20/ST/6	13.6E	X43/B/2	9.10F	X65/ST/2	20.3F	X72/ST/3	25.2D		
M5.2/P	13.4G	M20.1/4	14.5B	M29/P	23.6G	S20/X1/2	21.7E	W3/XS20	20.2D	W79/XS53	22.6C	X29/BU/1	14.5D	X43/B/3	9.10F	X66/BU/1	20.4D	X73/BU/1	25.2C		
M5.2/S1/1	13.5G	M20.2/1	15.4A	M29/S1/1	23.6G	S20/X1/3	21.7E	W3/XS21	20.2D	W79/XS54	22.5C	X29/BU/2	14.5D	X43/B/4	9.10F	X66/BU/2	20.4D	X73/BU/2	25.2C		
M5.2/S1/2	13.5G	M20.2/2	15.4B	M29/S1/2	23.6G	S20/X2/1	21.6E	W3/XS22	23.1B	W79/XS58	21.6D	X29/BU/5	14.6D	X43/B/5	9.11F	X66/BU/3	20.5D	X73/BU/3	25.2C		
M6/A	15.8F	M20.2/3	15.5A	M30/1	16.9B	S20/X2/2	21.6E	W3/XS23	26.1D	X1/BU/N	8.2B	X29/BU/6	14.8D	X53/BU/1	15.2E	X66/BU/4	20.5D	X73/ST/1	25.2C		
M6/B	15.8G	M20.2/4	15.5B	M30/2	16.9B	S20/X2/3	21.6F	W3/XS24	16.5C	X1/BU/N	8.3B	X29/BU/7	14.8D	X53/BU/2	15.3E	X66/BU/5	20.5D	X73/ST/1	25.2E		
M7/1	24.5E	M21.1/N	14.2B	P2/1	11.4F	S20/X2/4	21.6E	W3/XS26	26.5D	X1/BU/N	8.8B	X29/BU/8	14.7D	X53/BU/3	15.3E	X66/BU/6	20.5D	X73/ST/2	25.2C		
M7/2	24.5E	M21.1/P	14.2B	P2/3+	11.4E	S20/X2/5	21.6F	W3/XS27	26.5D	X1/BU/P	8.2B	X29/BU/9	14.7D	X53/BU/5	15.5E	X66/ST/1	20.4D	X73/ST/2	25.2E		
M8/1	11.5G	M21.1/X3/1	14.3B	R20/1	18.2F	S20/X2/6	21.6F	W3/XS31	17.9D	X1/BU/P	8.3B	X29/BU/10	14.4D	X53/BU/6	15.6E	X66/ST/2	20.4D	X73/ST/3	25.2C		
M8/2	11.5G	M21.1/X3/2	14.3B	R20/2	18.2F	S21/BU	17.9E	W3/XS32	20.3B	X1/BU/P	8.7B	X29/BU/11	14.5D	X53/BU/8	15.5E	X66/ST/3	20.5D	X73/ST/3	25.2E		
M9/1	12.2B	M21.2/N	15.2B	R20/3	18.2F	S21/BU	17.9F	W3/XS33	20.3C	X1/ST/N	8.2B	X29/BU/14	14.6D	X53/BU/9	15.2E	X66/ST/4	20.5D	X74/BU/A	21.1B		
M9/2	12.2B	M21.2/P	15.2A	R29/1	23.8D	S21/BU	17.9E	W3/XS35	17.6B	X1/ST/P	8.2B	X29/BU/15	14.8D	X53/BU/10	15.3E	X66/ST/5	20.5D	X74/BU/B	21.2B		
M9/3	12.2B	M21.2/X3/1	15.2A	R29/2	23.8E	S21/BU	17.9F	W3/XS37	17.5G	X11/BU/2	26.5E	X29/BU/16	14.9D	X53/BU/11	15.4E	X66/ST/6	20.5D	X74/ST/A	21.1B		
M9/4	12.2B	M21.2/X3/2	15.2B	R102/1	23.4C	S21/NC1	17.9E	W3/XS38	17.8G	X11/BU/3	18.4B	X29/BU/17	14.6D	X53/BU/14	15.6E	X68/BU/1	23.6D	X74/ST/B	21.2B		
M9/5	12.3B	M23/1	19.5E	R102/2	23.4C	S21/NC2	17.9F	W3/XS56	10.3E	X11/BU/4	18.5B	X29/ST/1	14.5D	X53/BU/16	15.5E	X68/BU/3	23.6D	X75/BU/1	21.7C		
M9/6	12.3B	M23/2	19.4E	S1/1	9.2C	S29/1	23.7F	W3/XS57	10.3F	X11/BU/5	26.5E	X29/ST/1	15.5C	X53/ST/1	15.2E	X68/BU/4	23.7D	X75/BU/2	21.7C		

Freigabevermerk:			5 Integrated acc. 4488-99		26.03.2024	Zi	Date	Name	B400R		Name		Schaltplan B400 R		 Hako GmbH D-23840 Bad Odesioe		Drawing Number		A2
No. Number appears			Change No.	Date	Name	Printed	27.03.2024		Replacement for		91043968-4488-96		For this drawing we reserve all rights (acc. DIN ISO 16016)						
Engineering Base 7.2.0			Type 7437 Dept. DS		No. of Sh.33		Sheet 3												

No: 91043968

10 Pins

	Name	Position	Name	Position
A	X75/BU/3	21.7C	X78/ST/1	22.4D
	X75/BU/4	21.8C	X78/ST/2	22.5D
	X75/BU/5	21.8C	X78/ST/3	22.5D
B	X75/BU/6	21.7C	X78/ST/4	22.5D
	X75/BU/7	21.7C	X78/ST/5	22.5D
	X75/BU/8	21.8C	X78/ST/6	22.6D
	X75/BU/9	21.8C	X78/ST/7	22.6D
	X75/BU/10	21.9C	X78/ST/8	22.6D
	X75/ST/1	21.7C	X78/ST/9	22.6D
	X75/ST/2	21.7C	X78/ST/10	22.6D
C	X75/ST/3	21.7C	X79/BU/1	24.8D
	X75/ST/4	21.8C	X79/BU/3	24.8D
	X75/ST/5	21.8C	X79/ST/1	24.8D
	X75/ST/6	21.7C	X79/ST/3	24.8D
	X75/ST/7	21.7C	X80/BU/1	11.3G
	X75/ST/8	21.8C	X80/BU/2	11.3G
	X75/ST/9	21.8C	X83/BU/1	27.4F
	X75/ST/10	21.9C	X83/BU/2	27.5F
D	X76/BU/1	22.2E	X83/ST/1	27.4F
	X76/BU/2	22.2E	X83/ST/2	27.5F
	X76/BU/3	22.2E	X97/1	11.2G
	X76/BU/4	22.3E	X97/2	11.2G
	X76/ST/1	22.2E	X97/3	11.2G
	X76/ST/2	22.2E	X97/4	11.2G
	X76/ST/3	22.2E	X100/1	10.5G
E	X76/ST/4	22.3E	X101/1	11.8F
	X77/BU/1	22.8E	XE14/ST/1	20.9F
	X77/BU/2	22.8E	XE14/ST/1	20.10F
	X77/BU/3	22.8E	XE14/ST/2	20.9F
	X77/BU/4	22.8E	XE14/ST/2	20.10F
	X77/ST/1	22.8E	Y1/1	11.6E
F	X77/ST/2	22.8E	Y1/2	11.6F
	X77/ST/3	22.8E	Y3/1	24.6E
	X77/ST/4	22.8E	Y3/2	24.6E
	X78/BU/1	22.4D		
	X78/BU/2	22.5D		
	X78/BU/3	22.5D		
	X78/BU/4	22.5D		
G	X78/BU/5	22.5D		
	X78/BU/6	22.6D		
	X78/BU/7	22.6D		
	X78/BU/8	22.6D		
	X78/BU/9	22.6D		
	X78/BU/10	22.6D		

Freigabevermerk:

5	Integrated acc.	4488-99	26.03.2024	Zi		Date	Name	
						Drawn	11.11.2020	Zi
						Verified		
	No. Number appears	Change No.	Date	Name	Printed	27.03.2024		

B400R

Name Schaltplan B400 R
Replacement for
circuit diagram B400 R

91043968-4488-96

For this drawing we reserve all rights (acc. DIN ISO 16016)

Engineering Base 7.2.0



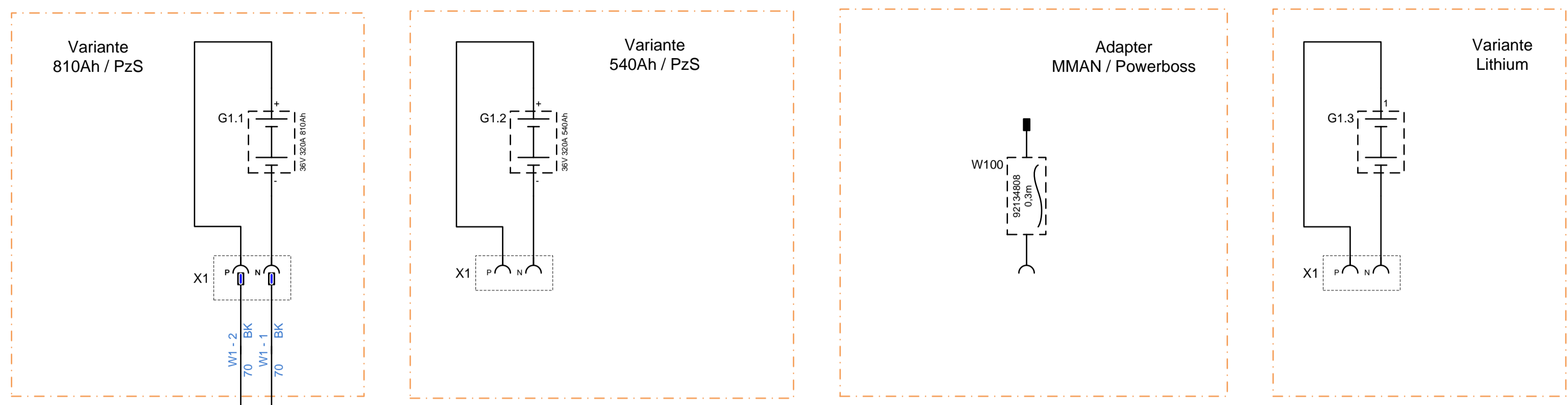
Hako GmbH
D-23840 Bad Oldesloe

Drawing Number
91043968

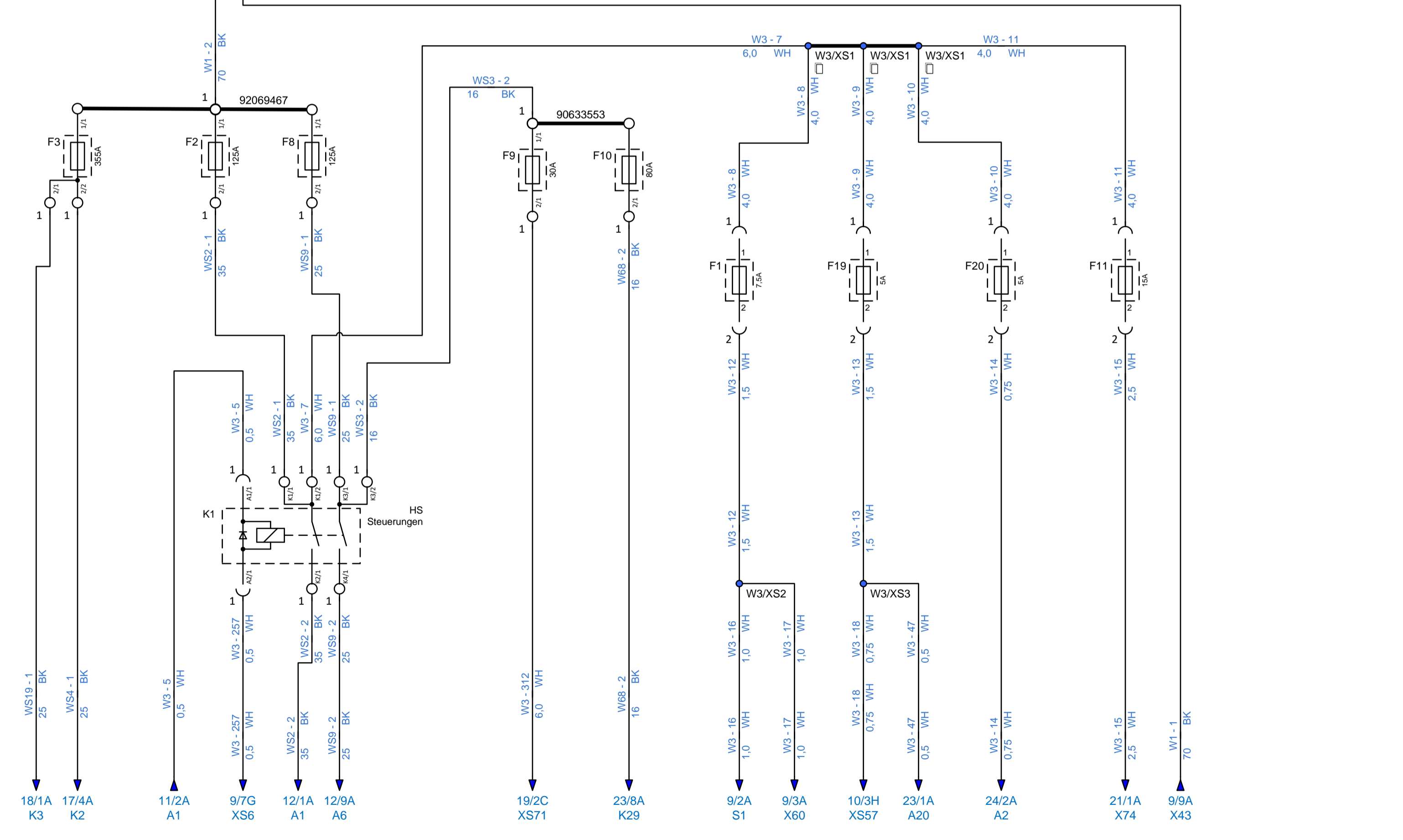
No. of Sh.33 Sheet 4

A2

1		2		3		4		5		6		7		8		9		10		11	
No:91043968		20 Leitungsstränge																			
A	Name	Bezeichnung	Kommentar		Material	Änderungsnummer	Name	Bezeichnung	Kommentar		Material	Änderungsnummer									
	W1	Kabelbaum W1 harness W1			97178420	4488-53	WS3	Kabelsatz WS3 cable set WS3			97168744	4320-06									
	W3	Kabelbaum W3 harness W3			97182125	4488-92	WS4	Kabelsatz WS4 cable set WS4			97154082	4315-11									
	W4	Kabelbaum W4 harness W4			97161780	4320-13	WS6	Kabelsatz WS4 cable set WS4			97145916	3737-17									
	W5	Kabelbaum W5 harness W5			97154918	4320-13	WS9	Kabelsatz WS9 cable set WS9			97153837	4315-11									
B	W10	Kabelbaum W10 harness W10			97155246	4315-11	WS10	Kabelsatz WS10 cable set WS10			97187165	4488-99									
	W18	Kabelbaum W18 harness W18			97155311	4315-10	WS19	Kabelsatz WS19 cable set WS19			97155022	4320-38									
	W19	Kabelbaum W19 harness W19			97155329	4320-82	WS68	Kabelsatz WS68 cable set WS68			97160907	4315-64									
	W20	Kabelbaum W20 harness W20			97163877	0000-01															
	W28	Kabelbaum W28 harness W28			97155238	4315-11															
C	W29	Kabelbaum W29 harness W29			97145791	3737-02															
	W30	Kabelbaum W30 harness W30			97162697	4315-11															
	W58	Kabelbaum W58 harness W58			97160253	4320-71															
	W59	Kabelbaum W59 harness W59			97160261	4488-58															
	W60	Kabelbaum W60 harness W60			97171110	4320-60															
D	W61	Kabelbaum W61 harness W61			97155006	3050-27															
	W63	Kabelbaum W63 harness W63			97155014	4315-02															
	W64	Kabelbaum W64 harness W64			97160808	4320-19															
	W65	Kabelbaum W65 harness W65			97155337	4320-56															
E	W66	Kabelbaum W66 harness W66			97155352	0000-02															
	W68	Kabelbaum W68 harness W68			97154934	4810-00															
	W71	Kabelbaum W71 harness W71			97174221	4488-06															
	W72	Kabelbaum W72 harness W72			97162796	4315-31															
	W74	Kabelbaum W74 harness W74			97163257	4488-23															
F	W75	Kabelbaum W75 harness W75			97163331	4315-33															
	W76	Kabelbaum W76 harness W76			97164495	4315-63															
	W77	Kabelbaum W77 harness W77			97164503	4315-63															
	W78	Kabelbaum W78 harness W78			97166573	4315-63															
	W79	Kabelbaum W79 harness W79			97162846	4315-63															
G	W80	Kabelbaum W80 harness W80			97155360	0000-01															
	W81	Kabelbaum W81 harness W81			97175806	4315-77															
	W84	Kabelbaum W84 harness W84			97184907	4289-61															
	WS2	Kabelsatz WS2 cable set WS2	Kabelsatz		97153811	4315-11															
H	Freigabevermerk:																				
			5	*/	4488-99	26.03.2024	Zi		Date	Name	B400R		Name		Schaltplan B400 R (Leitungsstränge)		Hako		Drawing Number		
									Drawn	29.01.2024	Zi	Replacement for		circuit diagram B400 R (harnesses)		Hako GmbH		91043968			
									Verified	27.03.2024		91043968-4488-96		For this drawing we reserve all rights (acc. DIN ISO 16016)		Engineering Base 7.2.0		Type 7437 Dept. DS		No. of Sh.33 Sheet 7	



- ### Legende
- F1 Sicherung Schlüsselschalter 7,5A
fuse keyswitch 7,5A
 - F2 Sicherung Steuerung A1 125A
fuse controller A1 125A
 - F3 Sicherung Fahren 355A
fuse drive 355A
 - F8 Sicherung Steuerung A6 125A
fuse Steuerung A6 125A
 - F9 Sicherung Lenken 30A
fuse steering 30A
 - F10 Sicherung Hochdruckreiniger 80A
fuse high-pressure cleaner 80A
 - F11 Sicherung StvZO 15A
fuse road traffic act 15A
 - F19 Sicherung Hupe / Fleet 5A
fuse horn / fleet 5A
 - F20 Sicherung Anzeige 5A
fuse display 5A
 - G1.1 Batterie 36V 320A 810Ah
battery 36V 320A 810Ah
 - G1.2 Batterie 36V 320A 540Ah
battery 36V 320A 540Ah
 - G1.3 Batterie
battery
 - K1 Hauptschütz 36V
main contactor 36V
 - w100 Adapter DIN - Anderson 0,3m
adapter DIN - Anderson 0,3m
 - X1 2-pol.
2-pol.

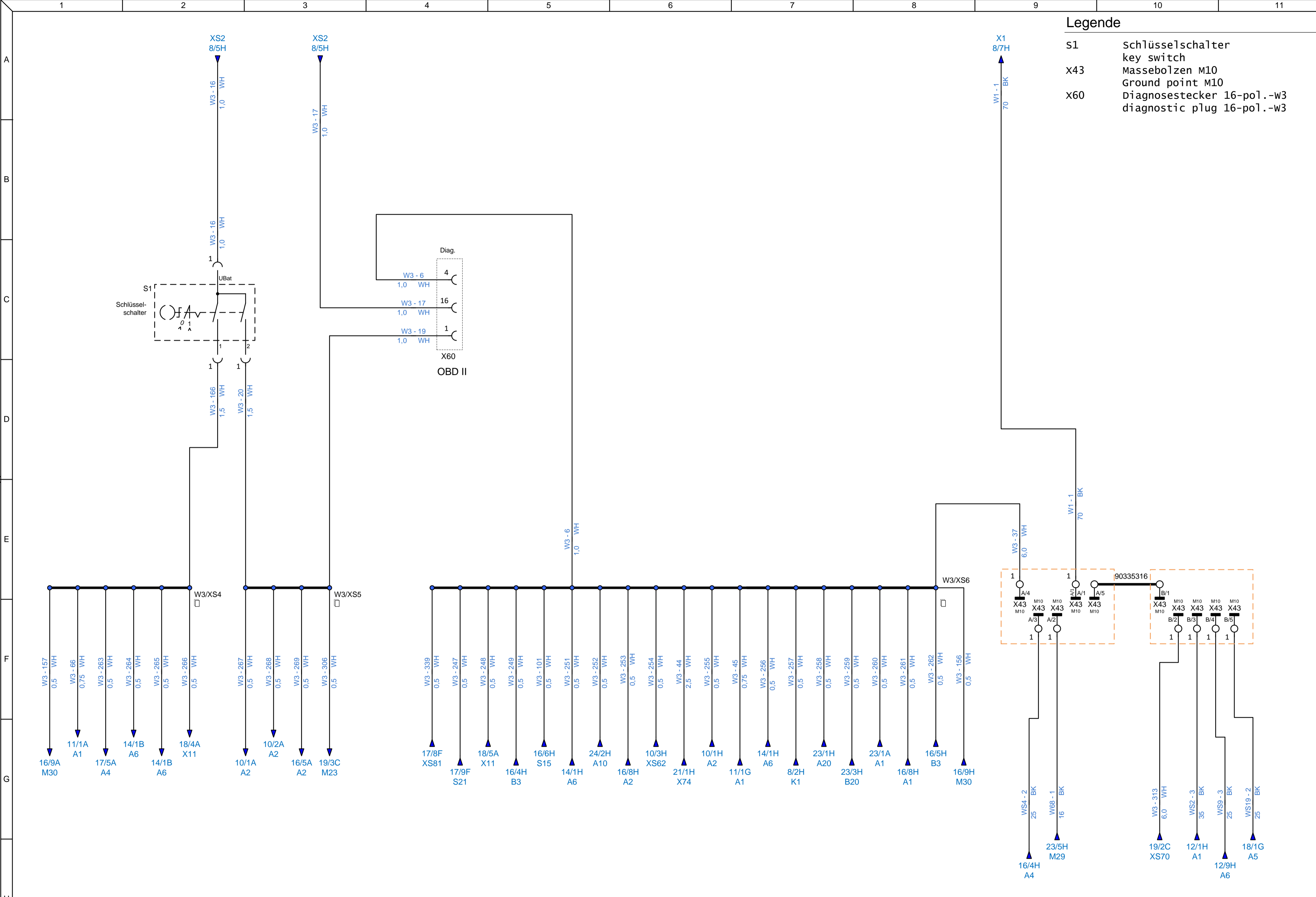


Nicht
gesundheitsschädlich
nach HN 01207

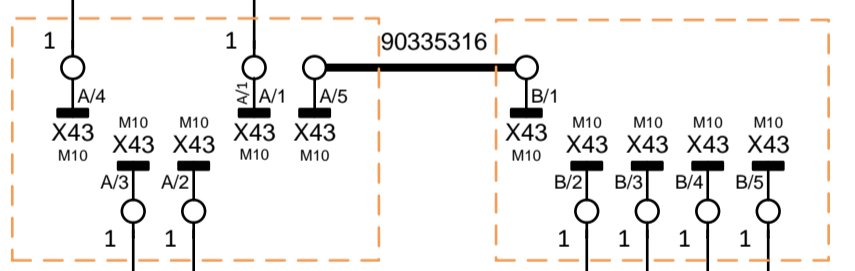
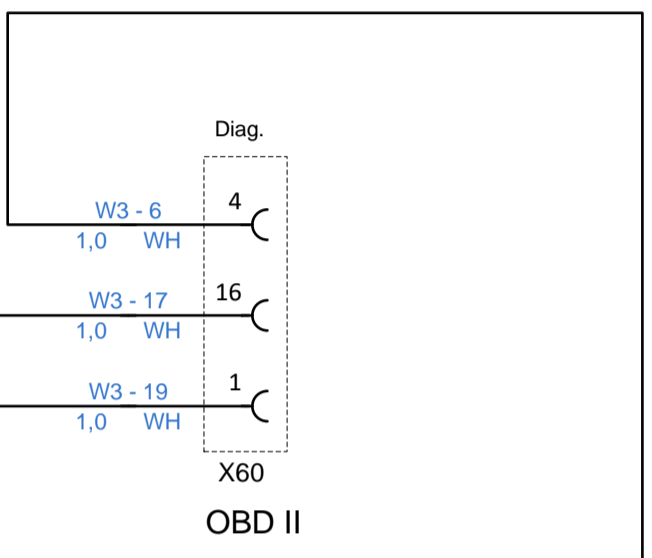
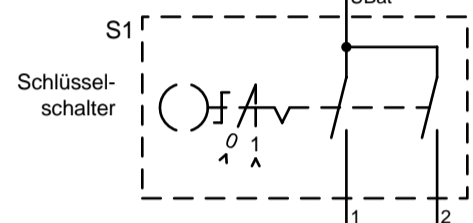
Freigabevermerk:		5	*/*	4488-99	26.03.2024	Zi	Date	Name	B400R	Name	Schaltplan B400 R	Drawing Number	A2
		No.	Number appears	Change No.	Date	Name	Printed	27.03.2024	Verified	Replacement for	91043968-4488-96	For this drawing we reserve all rights (acc. DIN ISO 16016)	Engineering Base 7.2.0
										Type 7437 Dept. DS		No. of Sh.33	Sheet 8



Hako GmbH
D-23840 Bad Oldesloe



- Legende**
- S1 Schlüsselschalter
key switch
 - X43 Massebolzen M10
Ground point M10
 - X60 Diagnosestecker 16-pol.-W3
diagnostic plug 16-pol.-W3



Nicht gesundheitsschädlich nach HN 01207

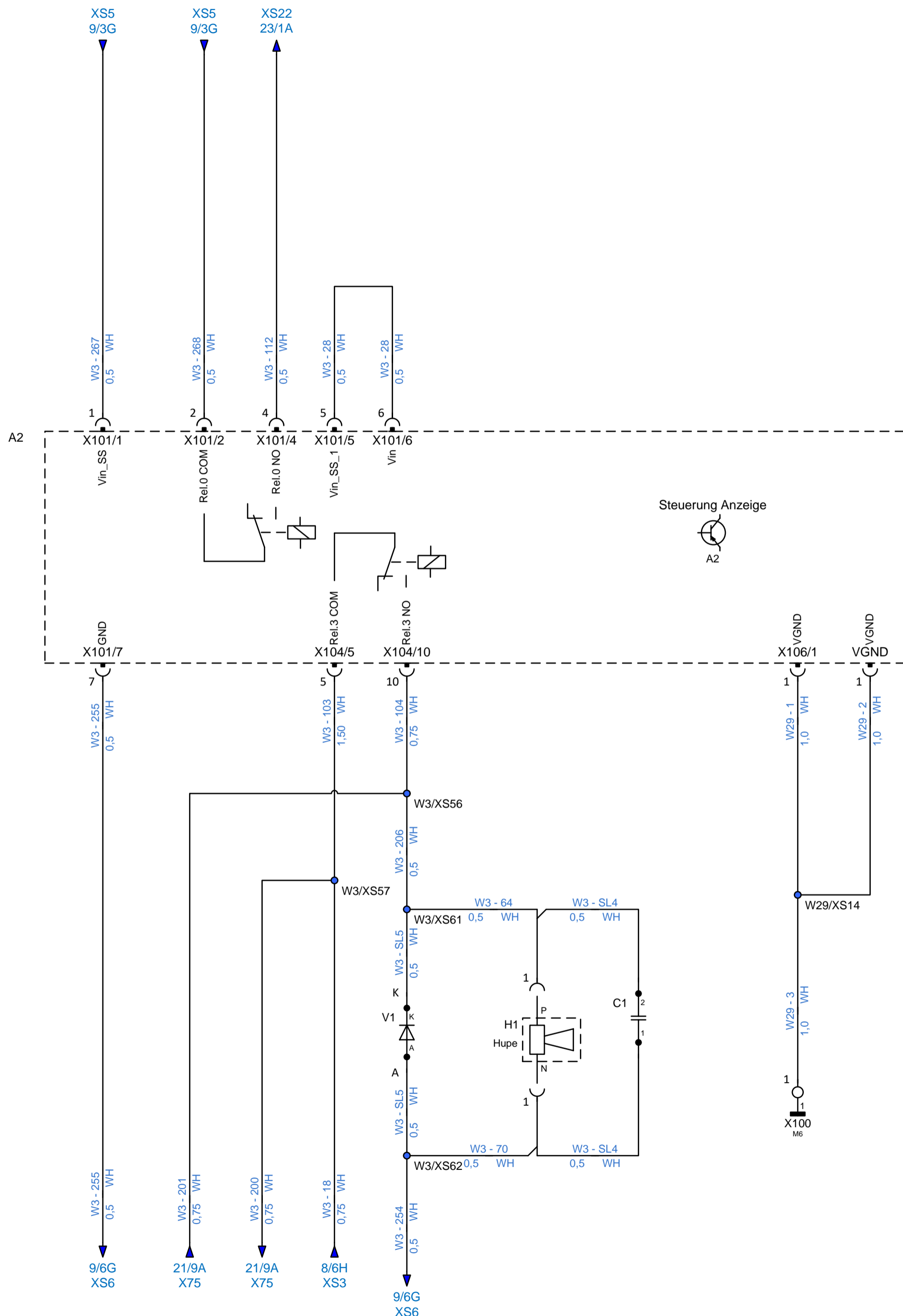
Freigabevermerk:		5	*/*	4488-99	26.03.2024	Zi	Date	Name	B400R	Name	Schaltplan B400 R	Drawing Number		A2	
		No.	Number appears	Change No.	Date	Name	Printed	27.03.2024	91043968-4488-96	Replacement for		91043968			
For this drawing we reserve all rights (acc. DIN ISO 16016)										Engineering Base 7.2.0		Type 7437	Dept. DS	No. of Sh.33	Sheet 9



Hako GmbH
D-23840 Bad Oldesloe

Legende

- A2 Steuerung Anzeige controller display
- C1 Entstörkondensator 100mm
Entstörkondensator 100mm
- H1 Hupe 335Hz
horn 335Hz
- V1 Diode
Diode
- X100 Chassi M6
chassis M6

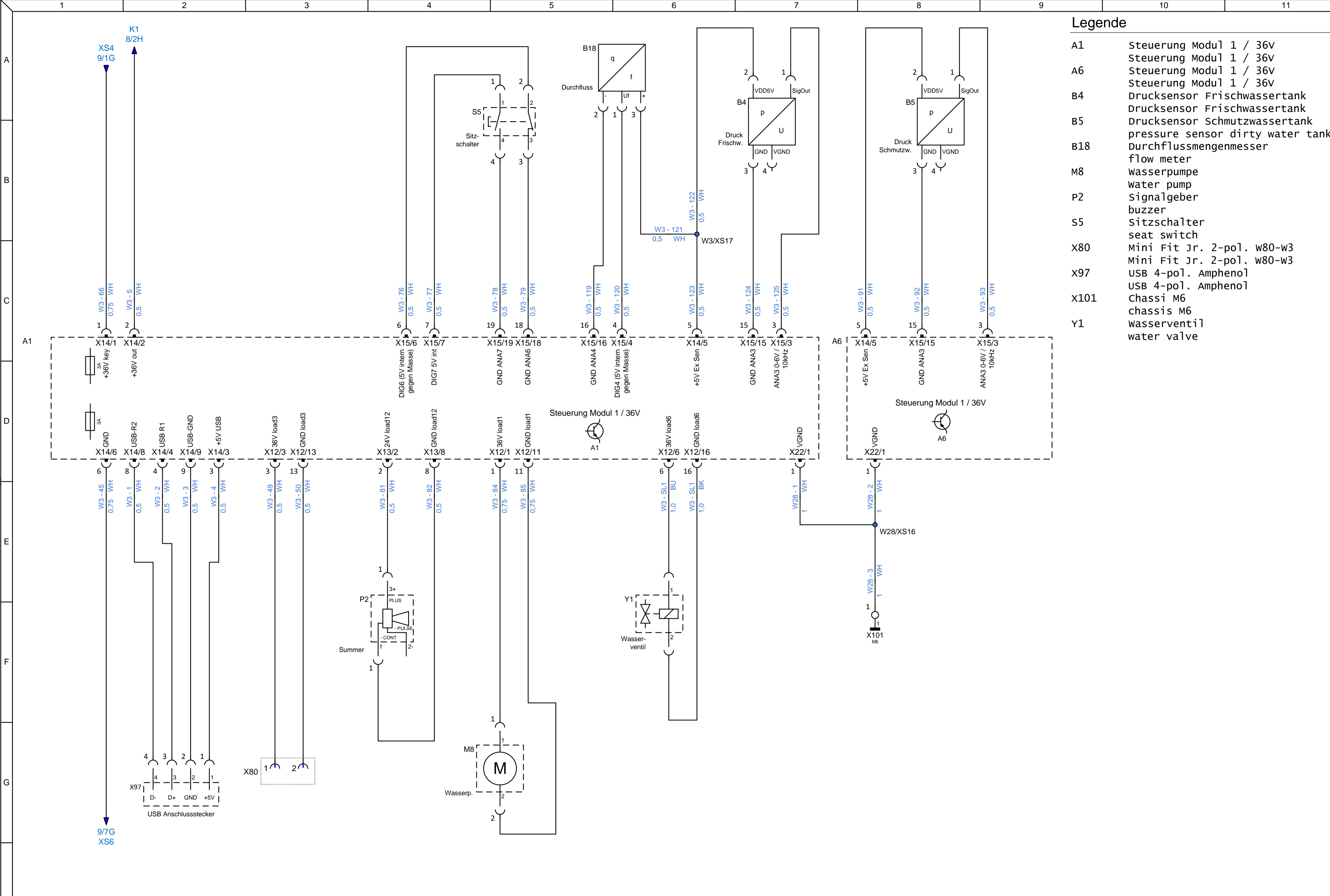


Nicht gesundheitsschädlich nach HN 01207

Freigabevermerk:		5	*/*	4488-99	26.03.2024	Zi	Date	Name	B400R	Name	Schaltplan B400 R	Drawing Number		A2
		No.	Number appears	Change No.	Date	Name	Printed	27.03.2024		Replacement for	91043968-4488-96	For this drawing we reserve all rights (acc. DIN ISO 16016)		
								Engineering Base 7.2.0			Type 7437	Dept. DS	No. of Sh.33	Sheet 10



Hako GmbH
D-23840 Bad Olsesloe



- Legende**
- A1 Steuerung Modul 1 / 36V
 - A6 Steuerung Modul 1 / 36V
 - B4 Drucksensor Frischwassertank
 - B5 Drucksensor Schmutzwassertank
 - B18 Durchflussmengenmesser
 - M8 Wasserpumpe
 - P2 Signalgeber
 - S5 Sitzschalter
 - X80 Mini Fit Jr. 2-pol. w80-w3
 - X97 USB 4-pol. Amphenol
 - X101 Chassi M6
 - Y1 Wasserventil

Nicht gesundheitsschädlich nach HN 01207

Freigabevermerk:		5	*/	4488-99	26.03.2024	Zi	Date	Name	B400R	Name	Schaltplan B400 R	Drawing Number		A2
		No.	Number appears	Change No.	Date	Name	Printed	27.03.2024	Verified	Replacement for	91043968-4488-96	For this drawing we reserve all rights (acc. DIN ISO 16016)		
										Engineering Base 7.2.0		Type 7437	Dept. DS	No. of Sh.33
												Sheet 11		



Hako GmbH
D-23840 Bad Odesioe

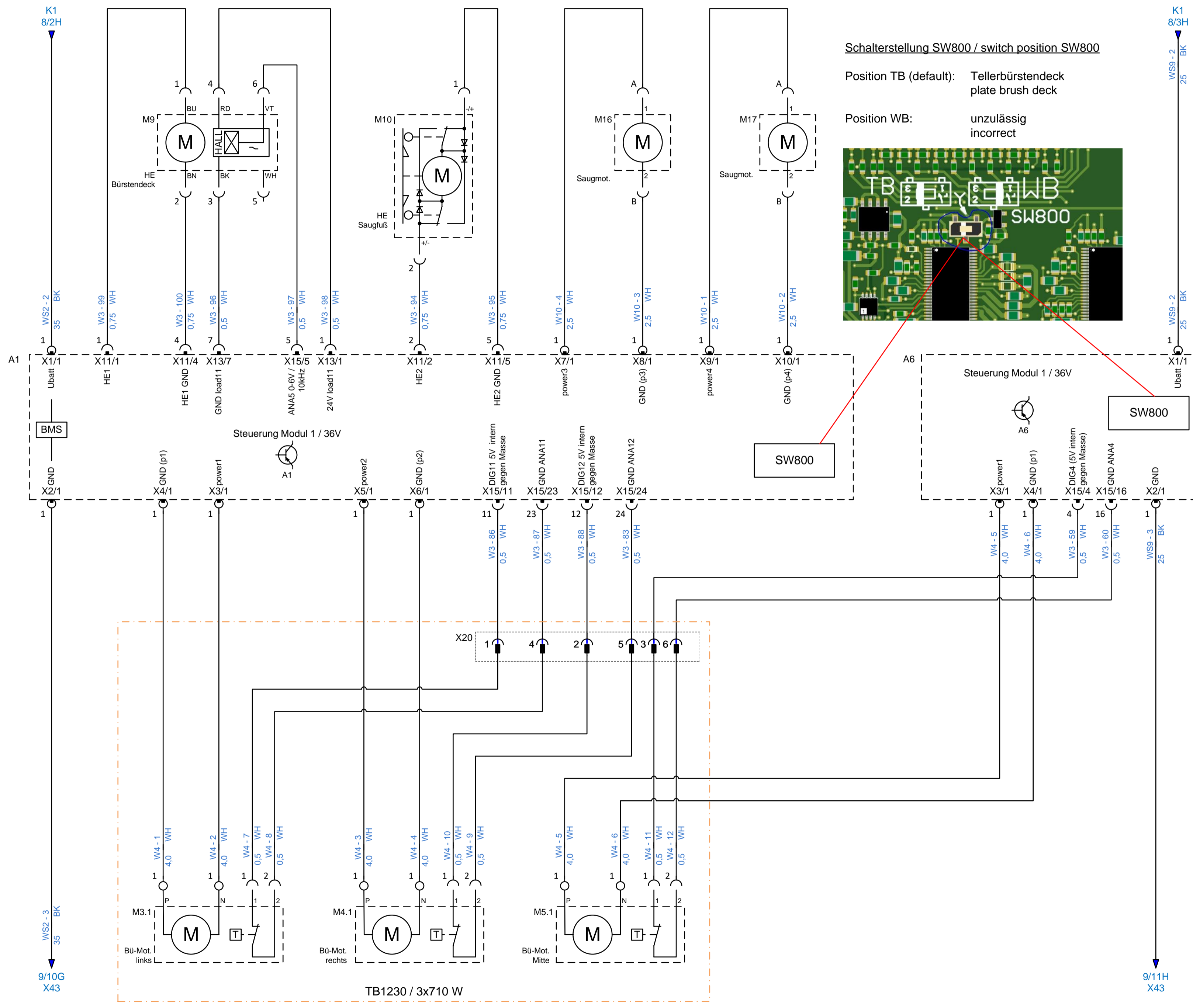
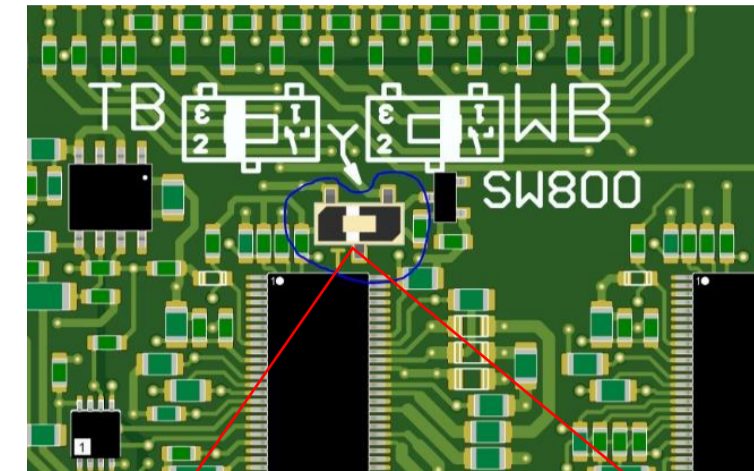
Legende

- A1 Steuerung Modul 1 / 36V
- A6 Steuerung Modul 1 / 36V
- A6 Steuerung Modul 1 / 36V
- M3.1 Tellerbürstenmotor links TB1230
plate brush motor left TB1230
- M4.1 Tellerbürstenmotor rechts TB1230
plate brush motor right TB1230
- M5.1 Tellerbürstenmotor mitte TB1230
plate brush motor middle TB1230
- M9 Hubelement Bürstendeck 24V
actuator brush deck 24V
- M10 Hubelement Saugfuß
actuator squeegee
- M16 Saugmotor 36V
suction motor 36V
- M17 Saugmotor 36V
suction motor 36V
- X20 Mini-Fit Jr. 6-pol. w5-w3
Mini-Fit Jr. 6-pol. w5-w3

Schalterstellung SW800 / switch position SW800

Position TB (default): Tellerbürstendeck
plate brush deck

Position WB: unzulässig
incorrect



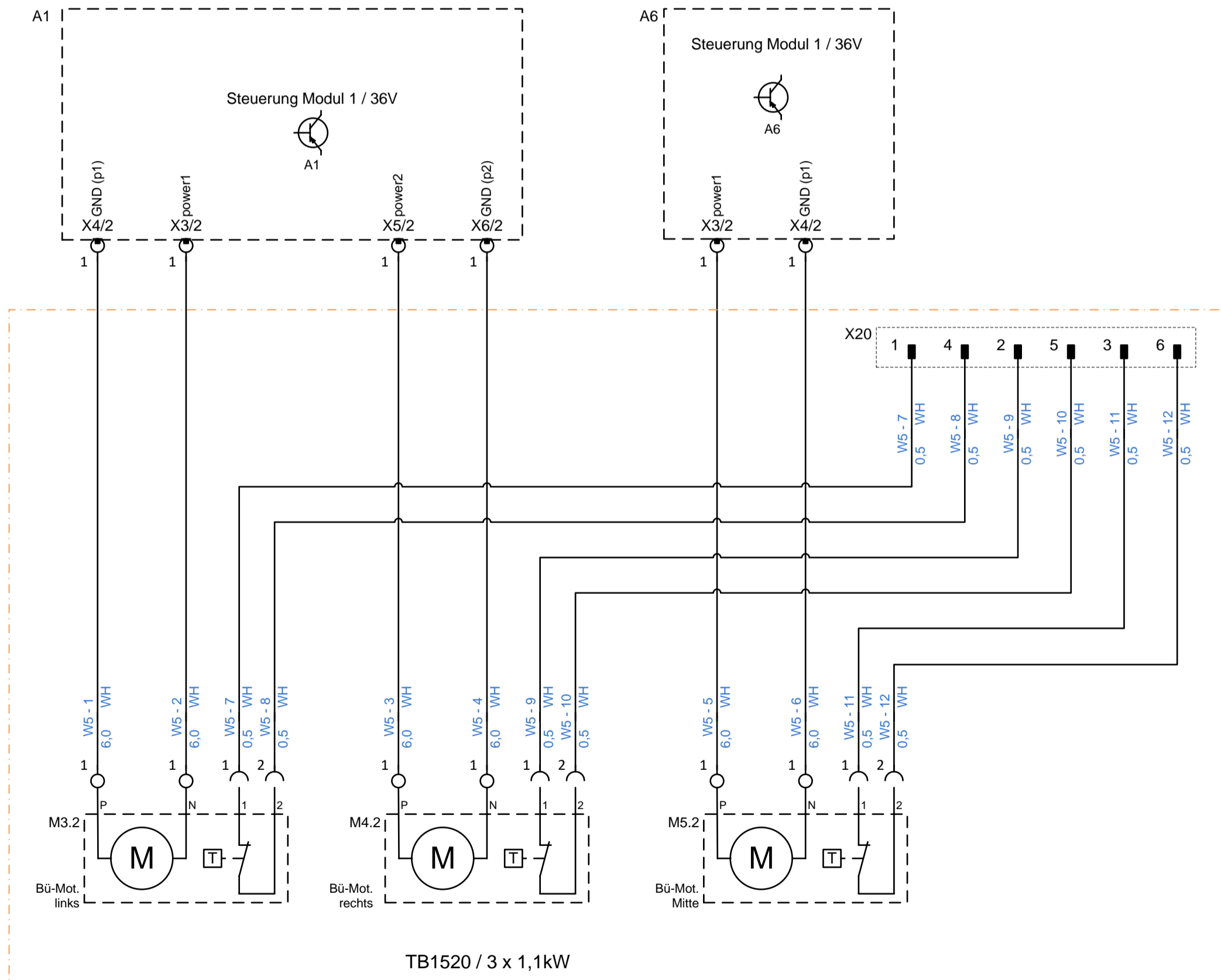
Nicht gesundheitsschädlich nach HN 01207

Freigabevermerk:		5	*/	4488-99	26.03.2024	Zi	Date	Name	B400R	Name	Schaltplan B400 R	Drawing Number	A2	
		No.	Number appears	Change No.	Date	Name	Printed	27.03.2024		Replacement for	91043968-4488-96	For this drawing we reserve all rights (acc. DIN ISO 16016)		
										Engineering Base 7.2.0	Type 7437	Dept. DS	No. of Sh.33	Sheet 12



Legende

- A1 Steuerung Modul 1 / 36V
- A6 Steuerung Modul 1 / 36V
- M3.2 Tellerbürstenmotor links TB1520
plate brush motor left TB1520
- M4.2 Tellerbürstenmotor rechts TB1520
plate brush motor right TB1520
- M5.2 Tellerbürstenmotor mitte TB1520
plate brush motor middle TB1520
- X20 Mini-Fit Jr. 6-pol. W5-W3
Mini-Fit Jr. 6-pol. W5-W3



Nicht gesundheitsschädlich nach HN 01207

Freigabevermerk:

5	*/*	4488-99	26.03.2024	Zi	Drawn	12.03.2020	Ri
No.	Number appears	Change No.	Date	Name	Printed	27.03.2024	

B400R

Replacement for
91043968-4488-96

Name **Schaltplan B400 R**
circuit diagram B400 R

For this drawing we reserve all rights (acc. DIN ISO 16016)



Hako GmbH
D-23840 Bad Oldesloe

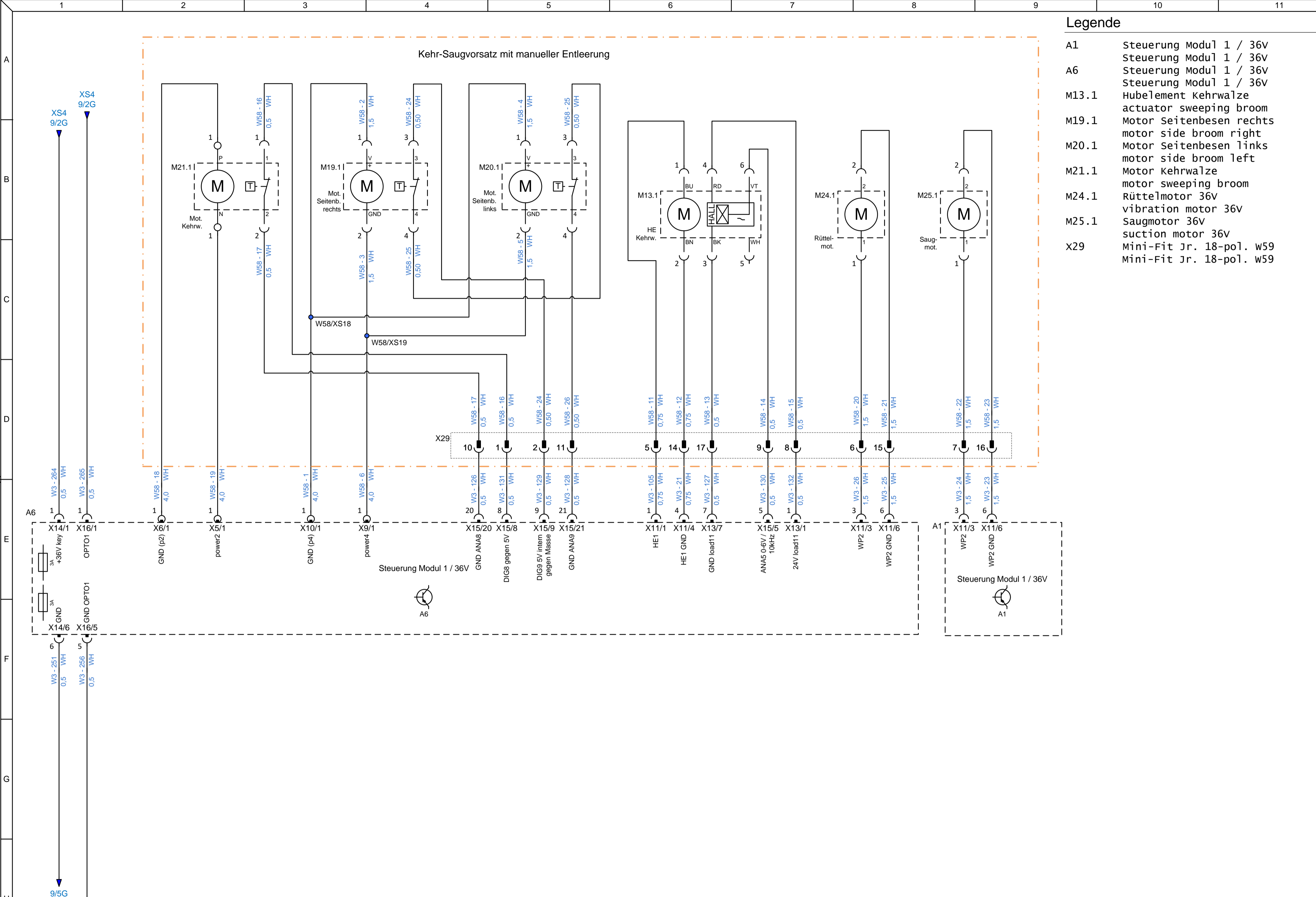
Drawing Number
91043968

No. of Sh. 33 Sheet 13

Engineering Base 7.2.0

Type 7437 Dept. DS

A2



- ### Legende
- A1 Steuerung Modul 1 / 36V
 - A6 Steuerung Modul 1 / 36V
 - M13.1 Hubelement Kehrwalze
 - M19.1 actuator sweeping broom
 - M20.1 Motor Seitenbesen rechts
 - M21.1 motor side broom right
 - M21.1 Motor Kehrwalze
 - M21.1 motor side broom left
 - M24.1 Rüttelmotor 36V
 - M24.1 vibration motor 36V
 - M25.1 Saugmotor 36V
 - M25.1 suction motor 36V
 - X29 Mini-Fit Jr. 18-pol. w59
 - X29 Mini-Fit Jr. 18-pol. w59

Nicht
gesundheitschädlich
nach HN 01207

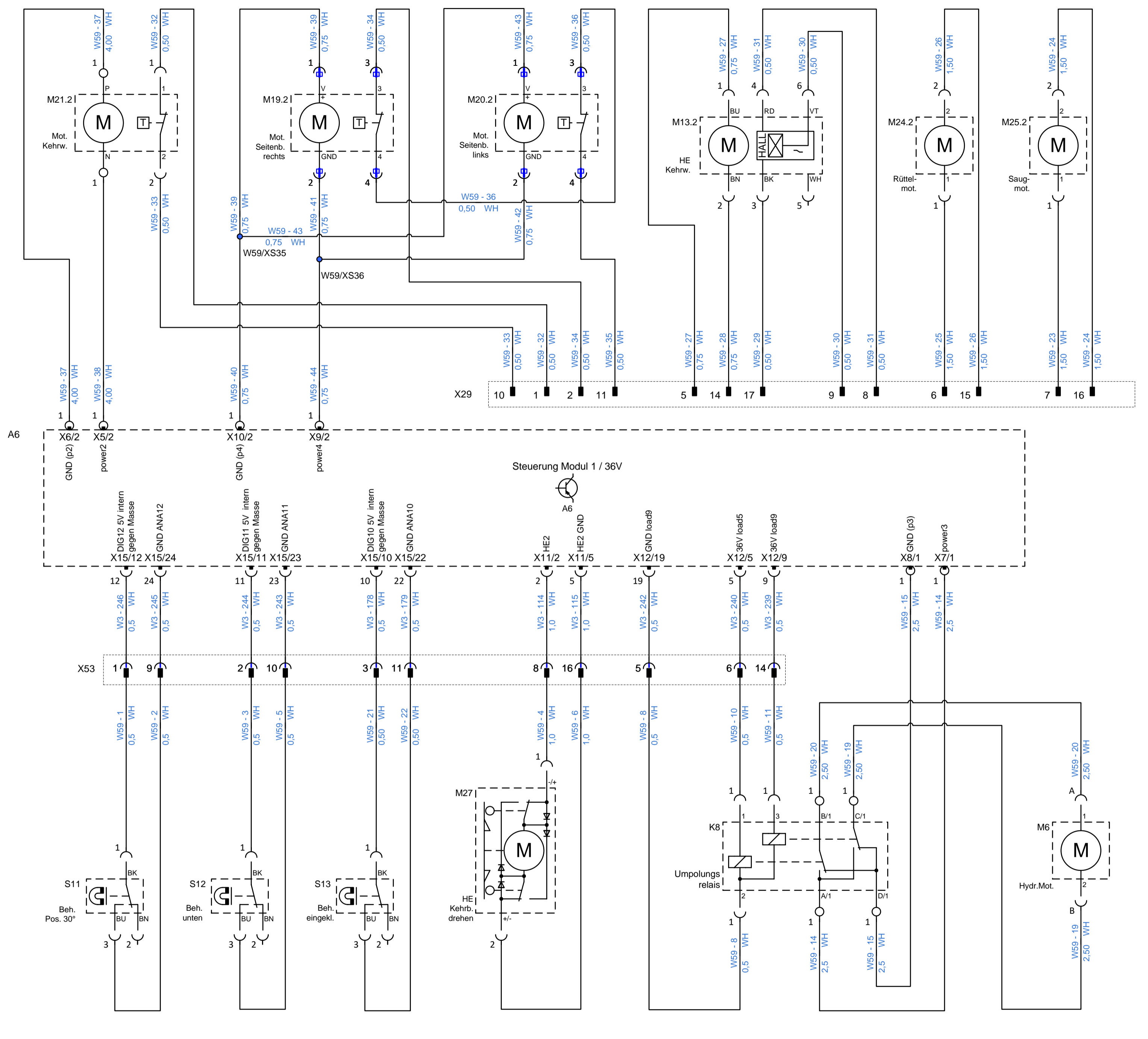
Freigabevermerk:		5	*/	4488-99	26.03.2024	Zi	Date	Name	B400R	Name	Schaltplan B400 R	Drawing Number		A2	
		No.	Number appears	Change No.	Date	Name	Printed	27.03.2024		Replacement for	91043968-4488-96	For this drawing we reserve all rights (acc. DIN ISO 16016)			
										Engineering Base 7.2.0		Type 7437	Dept. DS	No. of Sh.33	Sheet 14



Hako GmbH
D-23840 Bad Oldesloe

Legende

- A6 Steuerung Modul 1 / 36V
- K8 Umpolungsrelais 36V
- M6 Hydraulikmotor 36V
- M13.2 Hubelement Kehrwalze actuator sweeping broom
- M19.2 Motor Seitenbesen rechts motor side broom right
- M20.2 Motor Seitenbesen links motor side broom left
- M21.2 Motor Kehrwalze 36V 600W motor sweeping broom 36V 600W
- M24.2 Rüttelmotor 36V vibration motor 36V
- M25.2 Saugmotor 36V suction motor 36V
- M27 Hubelement Behälter drehen 24V actuator container move 24V
- S11 Schlitzschalter Behälter 30° switch container position 30°
- S12 Schlitzschalter Behälter unten switch container lowered
- S13 Schlitzschalter Behälter zu switch container closed
- X29 Mini-Fit Jr. 18-pol. w59
- X53 Mini-Fit Jr. 16-pol. w59-w3

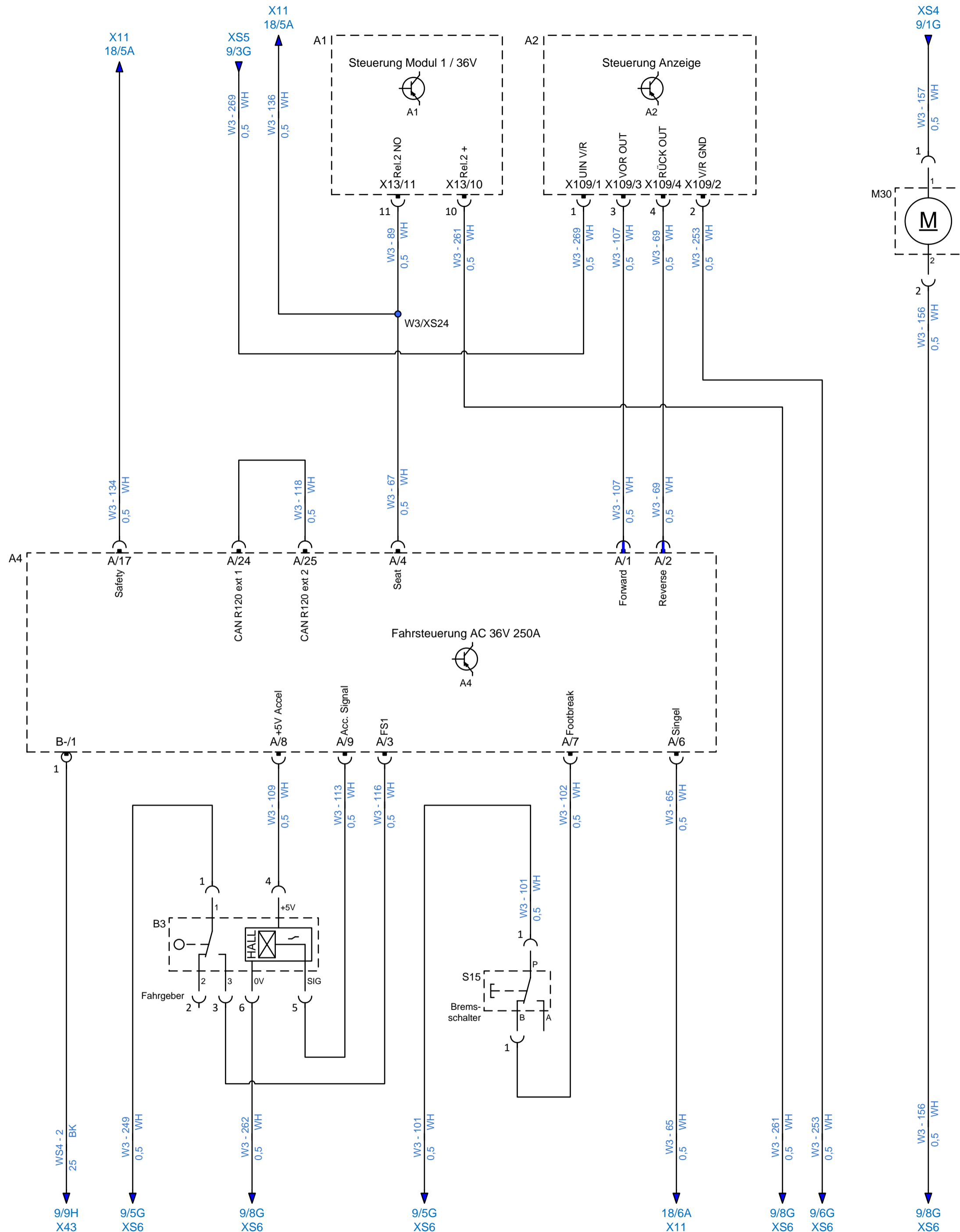


Nicht gesundheitsschädlich nach HN 01207

Freigabevermerk:		5	*/	4488-99	26.03.2024	Zi	Date	Name	B400R	Name	Schaltplan B400 R	Drawing Number	A2
		No.	Number appears	Change No.	Date	Name	Printed	27.03.2024	Verified	Replacement for	91043968-4488-96	No. of Sh.	33
									For this drawing we reserve all rights (acc. DIN ISO 16016)			Engineering Base 7.2.0	
										Type 7437 Dept. DS		Sheet 15	



Hako GmbH
D-23840 Bad Oldesloe



Legende

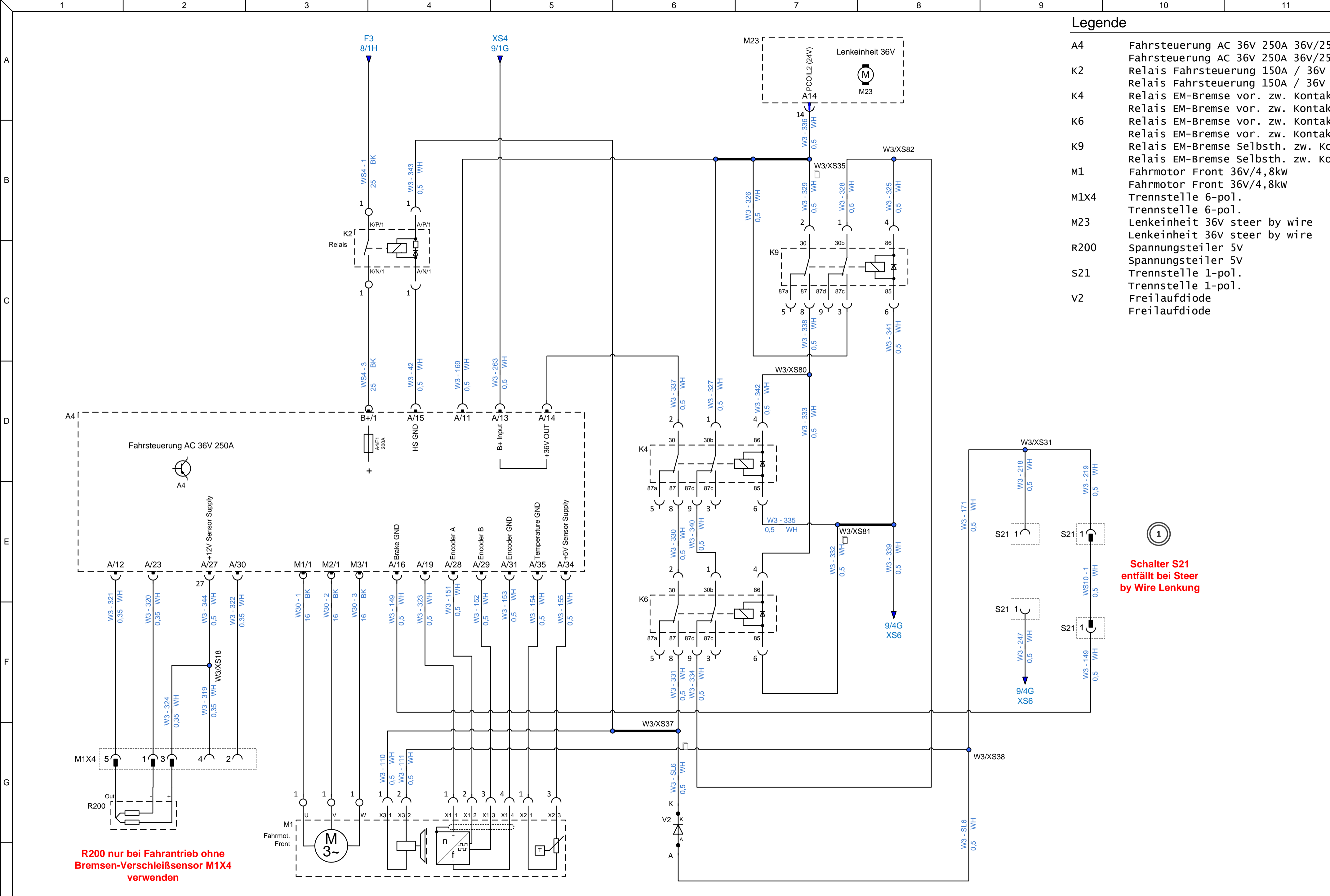
- A1 Steuerung Modul 1 / 36V
- A2 Steuerung Anzeige controller display
- A4 Fahrsteuerung AC 36V 250A 36V/250A
- B3 Fahrgeber accelerator
- M30 Lüfter 48V
- S15 Fussbremstaster foot brake switch

Nicht gesundheitsschädlich nach HN 01207

Freigabevermerk:		5	*/*	4488-99	26.03.2024	Zi	Date	Name	B400R	Name	Schaltplan B400 R		Drawing Number		A2	
		No.	Number appears	Change No.	Date	Name	Printed	27.03.2024		Replacement for	circuit diagram B400 R		No. of Sh.33		Sheet 16	
										For this drawing we reserve all rights (acc. DIN ISO 16016)			Engineering Base 7.2.0		Type 7437 Dept. DS	



Drawing Number
91043968

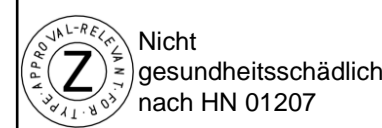


Legende

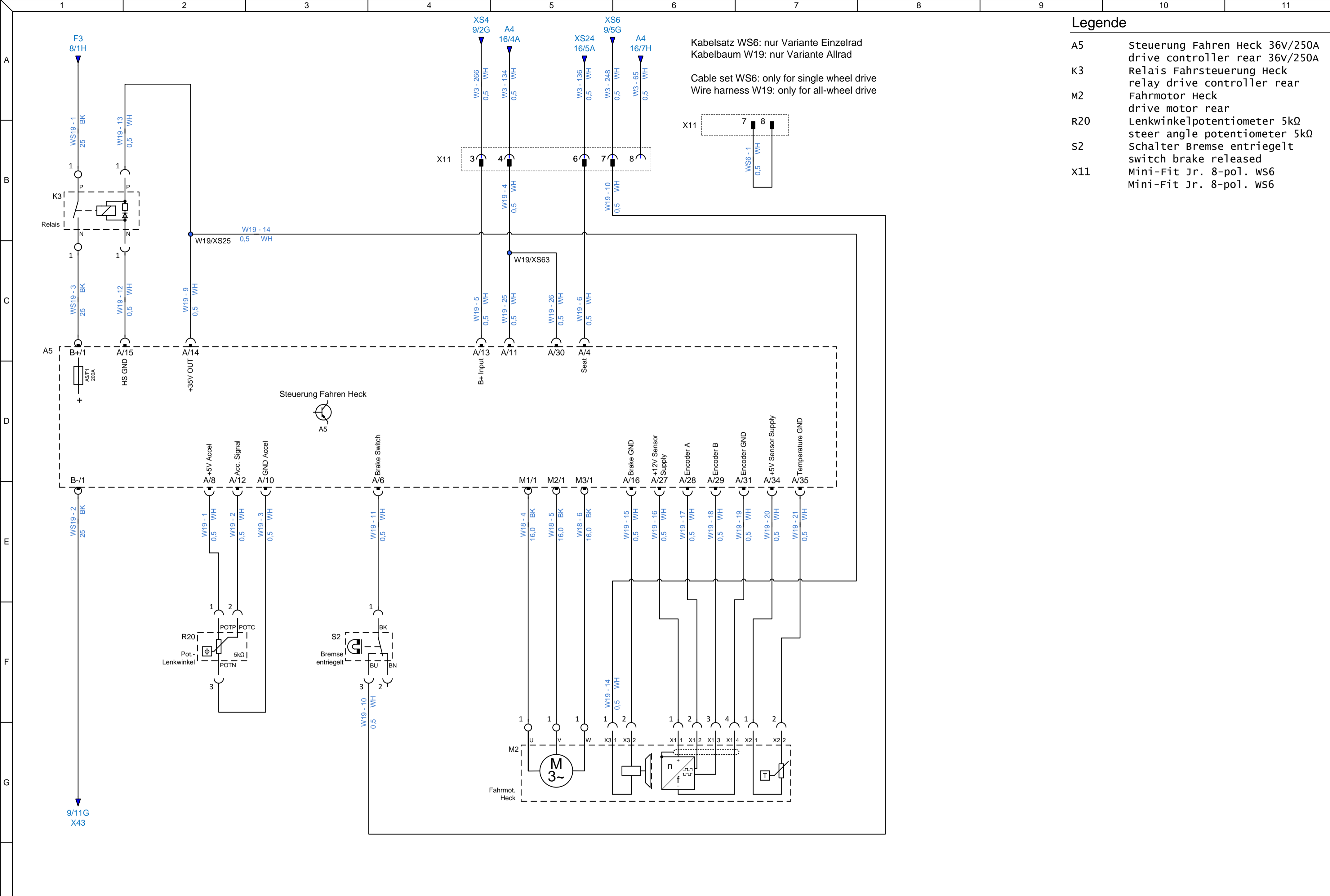
A4	Fahrsteuerung AC 36V 250A
K2	Relais Fahrsteuerung 150A / 36V
K4	Relais EM-Bremse vor. zw. Kontakte
K6	Relais EM-Bremse vor. zw. Kontakte
K9	Relais EM-Bremse Selbsth. zw. Kontakte
M1	Fahrmotor Front 36V/4,8kw
M1X4	Trennstelle 6-pol.
M23	Lenkeinheit 36V steer by wire
R200	Spannungsteiler 5V
S21	Trennstelle 1-pol.
V2	Freilaufdiode

Schalter S21 entfällt bei Steer by Wire Lenkung

R200 nur bei Fährantrieb ohne Bremsen-Verschleißsensor M1X4 verwenden



Freigabevermerk:		5	1x	4488-99	26.03.2024	Zi	Date	Name	B400R	Name	Schaltplan B400 R (steer by wire)	Drawing Number	A2
		No.	Number appears	Change No.	Date	Name	Printed	27.03.2024	6	Replacement for	circuit diagram B400 R (steer by wire)	91043968	
										For this drawing we reserve all rights (acc. DIN ISO 16016)		Engineering Base 7.2.0	
										Type 7437		Dept. DS	
										No. of Sh.33		Sheet 17	

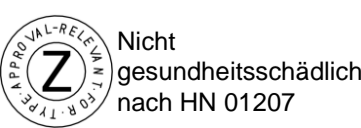


Legende

A5	Steuerung Fahren Heck 36V/250A drive controller rear 36V/250A
K3	Relais Fahrsteuerung Heck relay drive controller rear
M2	Fahrmotor Heck drive motor rear
R20	Lenkwinkelpotentiometer 5kΩ steer angle potentiometer 5kΩ
S2	Schalter Bremse entriegelt switch brake released
X11	Mini-Fit Jr. 8-pol. WS6 Mini-Fit Jr. 8-pol. WS6

Kabelsatz WS6: nur Variante Einzelrad
Kabelbaum W19: nur Variante Allrad

Cable set WS6: only for single wheel drive
Wire harness W19: only for all-wheel drive

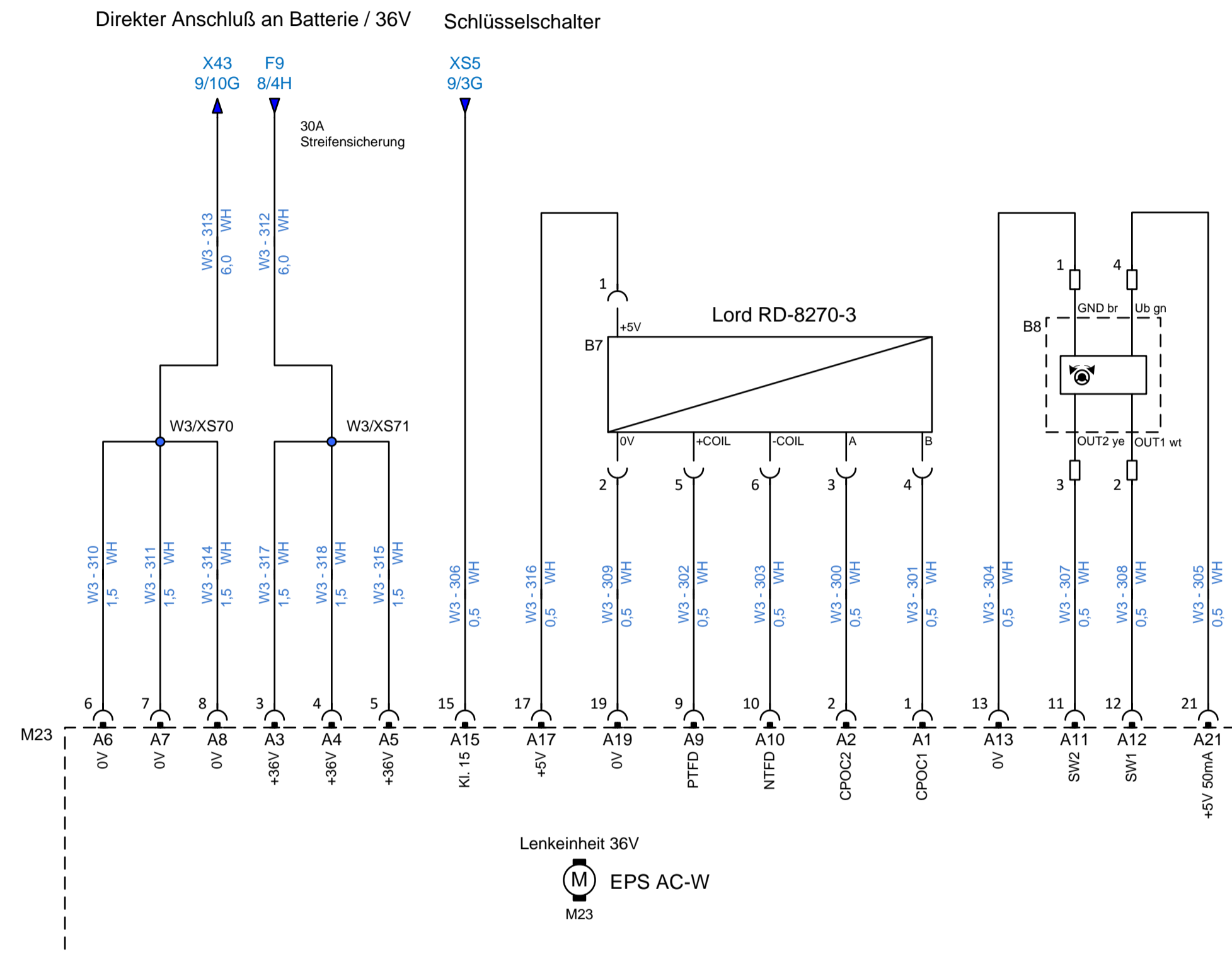


Freigabevermerk:		5	*/	4488-99	26.03.2024	Zi	Date	Name	B400R		Name	Schaltplan B400 R		Drawing Number		A2
		No.	Number appears	Change No.	Date	Name	Printed	27.03.2024		Replacement for		91043968-4488-96		For this drawing we reserve all rights (acc. DIN ISO 16016)		Engineering Base 7.2.0
										Type 7437		Dept. DS	No. of Sh.33	Sheet 18		



Legende

- B7 Lenkwinkelgeber
steering unit
- B8 winkelesensor teilredundant
winkelesensor teilredundant
- M23 Lenkeinheit 36V steer by wire
Lenkeinheit 36V steer by wire



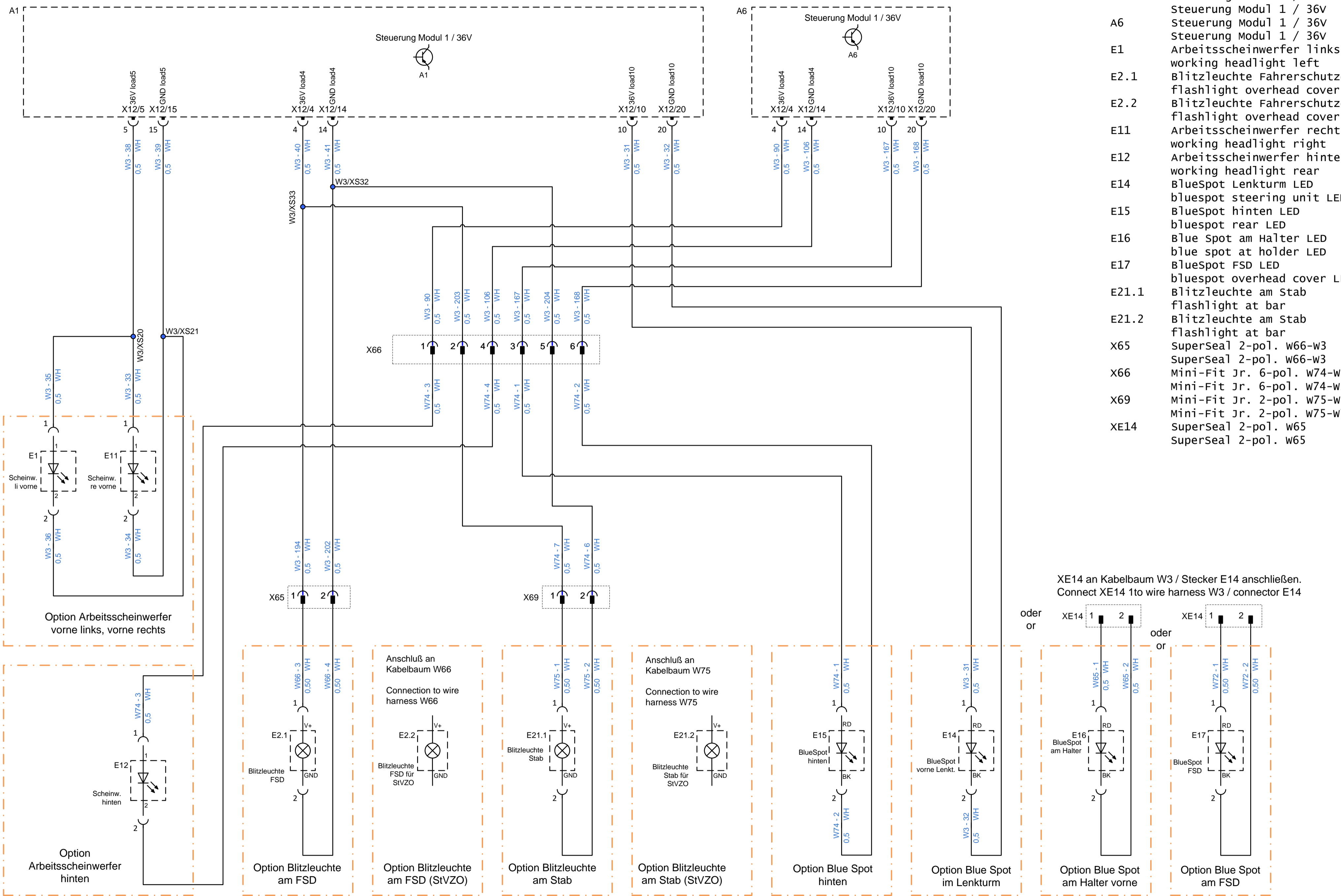
Nicht
gesundheitsschädlich
nach HN 01207

Freigabevermerk:		5	*/*	4488-99	26.03.2024	Zi	Date	Name	B400R	Name	Schaltplan B400 R (steer by wire)	Drawing Number		A2
		No.	Number appears	Change No.	Date	Name	Printed	27.03.2024		Replacement for	circuit diagram B400 R (steer by wire)	91043968		
For this drawing we reserve all rights (acc. DIN ISO 16016)										Engineering Base 7.2.0	Type 7437	Dept. DS	No. of Sh.33	Sheet 19

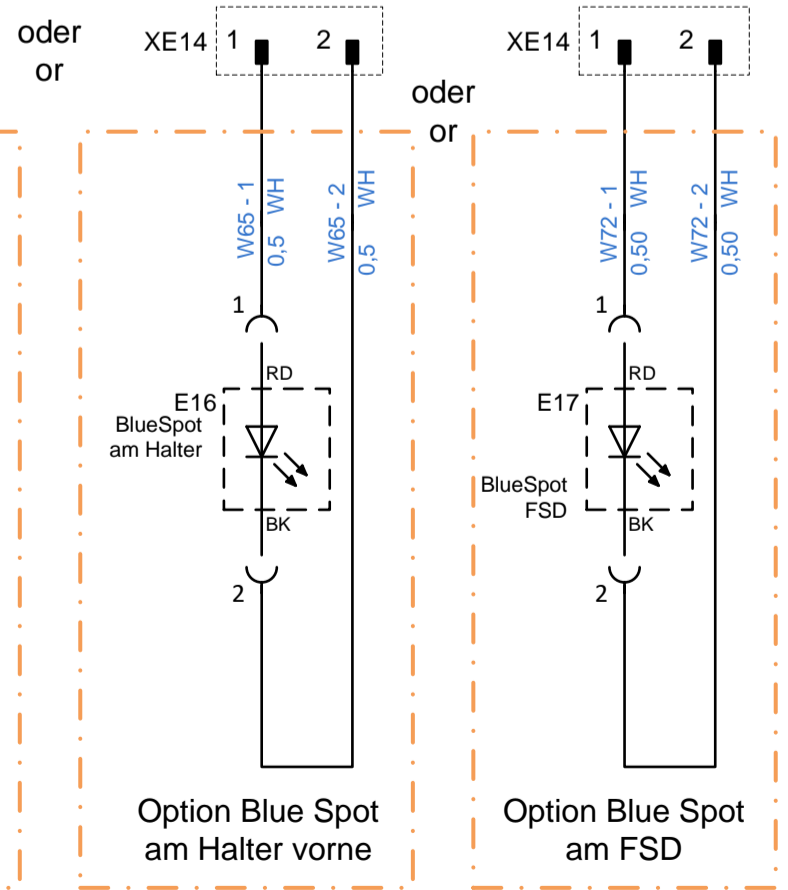


Legende

- A1 Steuerung Modul 1 / 36V
- A6 Steuerung Modul 1 / 36V
- E1 Arbeitsscheinwerfer links working headlight left
- E2.1 Blitzleuchte Fahrerschutzdach flashlight overhead cover
- E2.2 Blitzleuchte Fahrerschutzdach flashlight overhead cover
- E11 Arbeitsscheinwerfer rechts working headlight right
- E12 Arbeitsscheinwerfer hinten working headlight rear
- E14 BlueSpot Lenkturm LED bluespot steering unit LED
- E15 BlueSpot hinten LED bluespot rear LED
- E16 Blue Spot am Halter LED blue spot at holder LED
- E17 BlueSpot FSD LED bluespot overhead cover LED
- E21.1 Blitzleuchte am Stab flashlight at bar
- E21.2 Blitzleuchte am Stab flashlight at bar
- X65 SuperSeal 2-pol. w66-w3
- X66 Mini-Fit Jr. 6-pol. w74-w3
- X69 Mini-Fit Jr. 2-pol. w75-w74
- XE14 SuperSeal 2-pol. w65

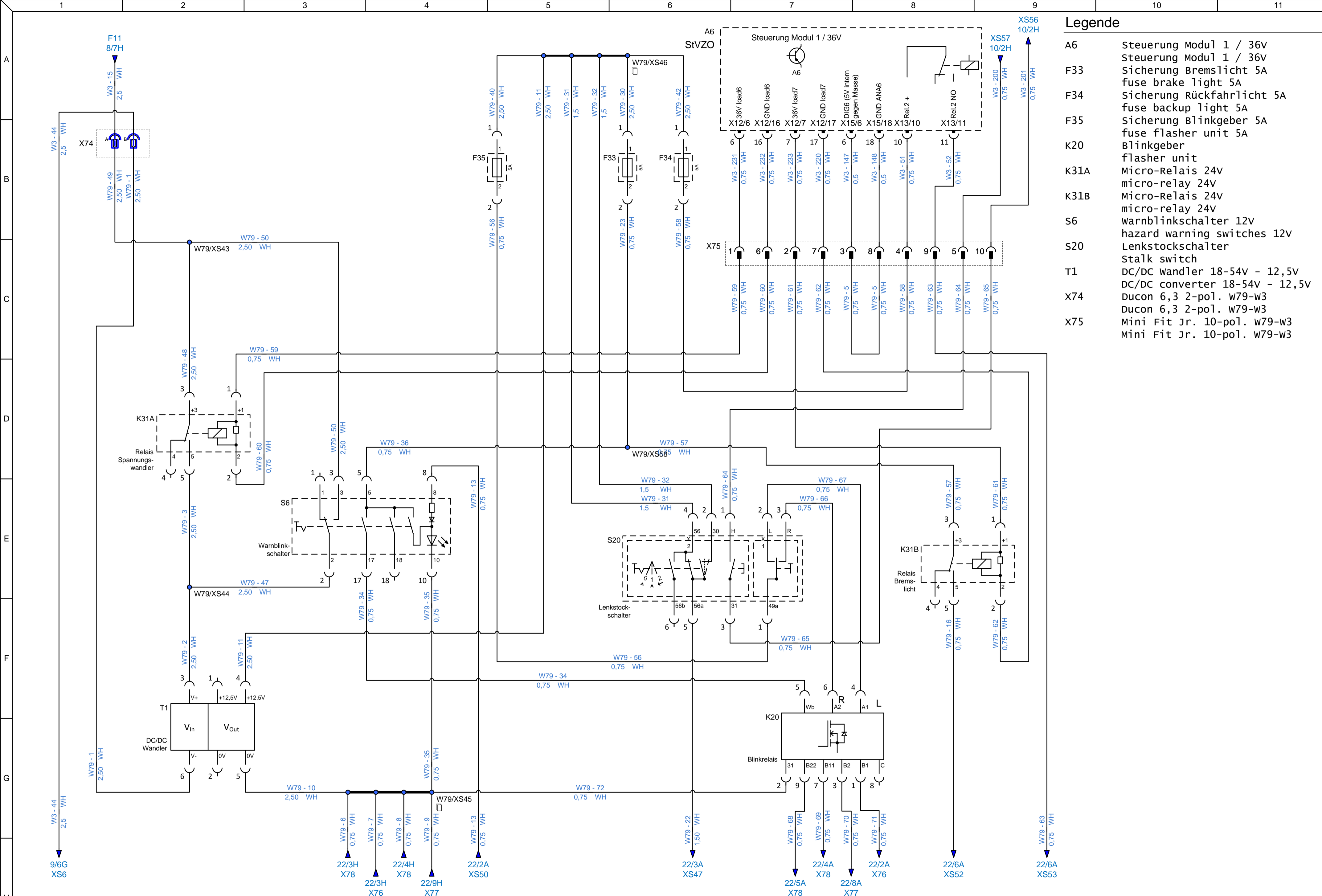


XE14 an Kabelbaum W3 / Stecker E14 anschließen.
Connect XE14 1to wire harness W3 / connector E14



Nicht gesundheitsschädlich nach HN 01207

Freigabevermerk:		5	*/	4488-99	26.03.2024	Zi	Date	Name	B400R	Name	Schaltplan B400 R	Drawing Number	A2
		No.	Number appears	Change No.	Date	Name	Printed	27.03.2024	Verified	Replacement for	91043968-4488-96	For this drawing we reserve all rights (acc. DIN ISO 16016)	Engineering Base 7.2.0
										Hako		91043968	No. of Sh.33
										Hako GmbH		Dept. DS	Sheet 20



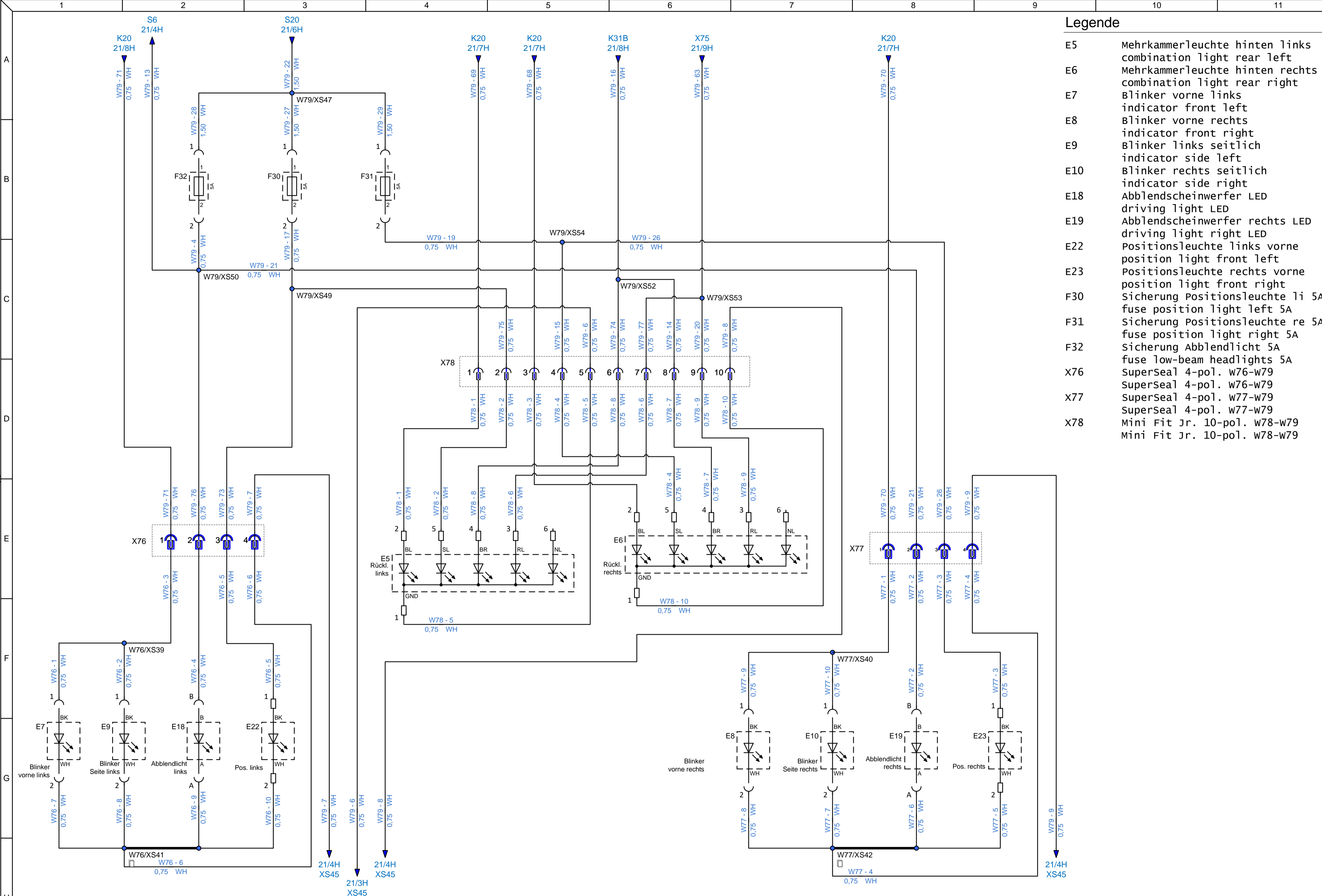
- ### Legende
- A6 Steuerung Modul 1 / 36V
 - F33 Sicherung Bremslicht 5A
 - F34 Sicherung Rückfahrlicht 5A
 - F35 Sicherung Blinkgeber 5A
 - K20 Blinkgeber
 - K31A Micro-Relais 24V
 - K31B Micro-Relais 24V
 - S6 warnblinkschalter 12V
 - S20 Lenkstockscharter
 - T1 DC/DC wandler 18-54V - 12,5V
 - X74 Ducon 6,3 2-pol. w79-w3
 - X75 Mini Fit Jr. 10-pol. w79-w3

Nicht
gesundheitsschädlich
nach HN 01207

Freigabevermerk:		5		*/		4488-99		26.03.2024		Zi		Date		Name		B400R		Name		Schaltplan B400 R		Drawing Number		A2							
		No.		Number appears		Change No.		Date		Name		Printed		27.03.2024		Replacement for		91043968-4488-96		For this drawing we reserve all rights (acc. DIN ISO 16016)		Engineering Base 7.2.0		Type 7437		Dept. DS		No. of Sh.33		Sheet 21	




Hako GmbH
D-23840 Bad Oldesloe



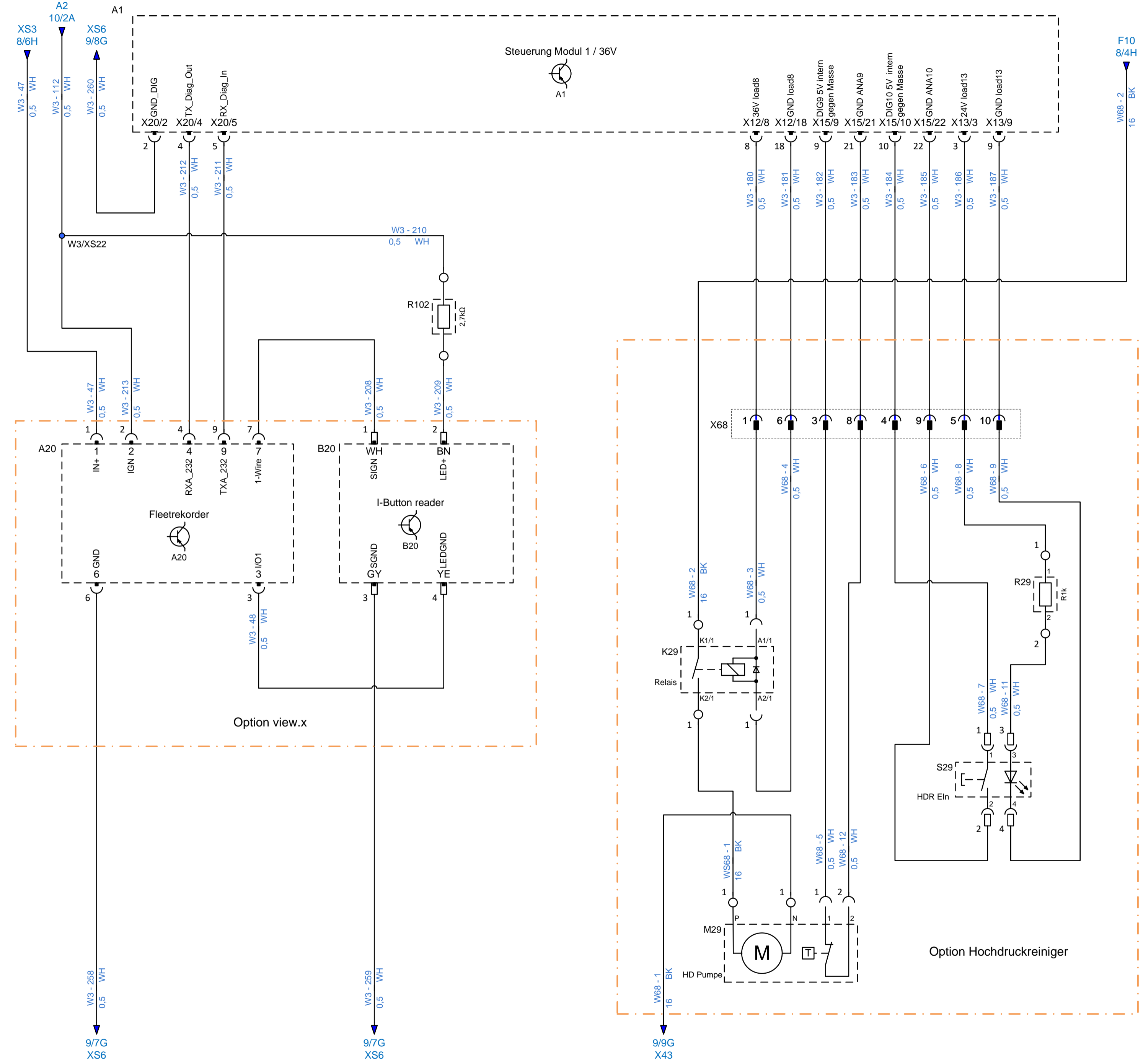
- ### Legende
- E5 Mehrkammerleuchte hinten links
combination light rear left
 - E6 Mehrkammerleuchte hinten rechts
combination light rear right
 - E7 Blinker vorne links
indicator front left
 - E8 Blinker vorne rechts
indicator front right
 - E9 Blinker links seitlich
indicator side left
 - E10 Blinker rechts seitlich
indicator side right
 - E18 Abblendscheinwerfer LED
driving light LED
 - E19 Abblendscheinwerfer rechts LED
driving light right LED
 - E22 Positionsleuchte links vorne
position light front left
 - E23 Positionsleuchte rechts vorne
position light front right
 - F30 Sicherung Positionsleuchte li 5A
fuse position light left 5A
 - F31 Sicherung Positionsleuchte re 5A
fuse position light right 5A
 - F32 Sicherung Abblendlicht 5A
fuse low-beam headlights 5A
 - X76 SuperSeal 4-pol. w76-w79
SuperSeal 4-pol. w76-w79
 - X77 SuperSeal 4-pol. w77-w79
SuperSeal 4-pol. w77-w79
 - X78 Mini Fit Jr. 10-pol. w78-w79
Mini Fit Jr. 10-pol. w78-w79

Nicht gesundheitsschädlich nach HN 01207

Freigabevermerk:		5	*/	4488-99	26.03.2024	Zi	Date	Name	B400R	Name	Schaltplan B400 R	 Hako GmbH D-23840 Bad Odesioe	Drawing Number	A2
No.	Number appears	Change No.	Date	Name	Printed	27.03.2024		Ri	Replacement for	circuit diagram B400 R			91043968	No. of Sh.33
For this drawing we reserve all rights (acc. DIN ISO 16016)											Engineering Base 7.2.0			

Legende

- A1 Steuerung Modul 1 / 36V
- A20 Fleetrekorder
- B20 I-Button reader
- K29 Relais Pumpe HDR
- M29 Hochdruckpumpe
- R29 widerstand R1k
- R102 widerstand 2,7kΩ
- S29 Taster HDR EIN
- X68 Mini-Fit Jr. 10-pol. w68-w3

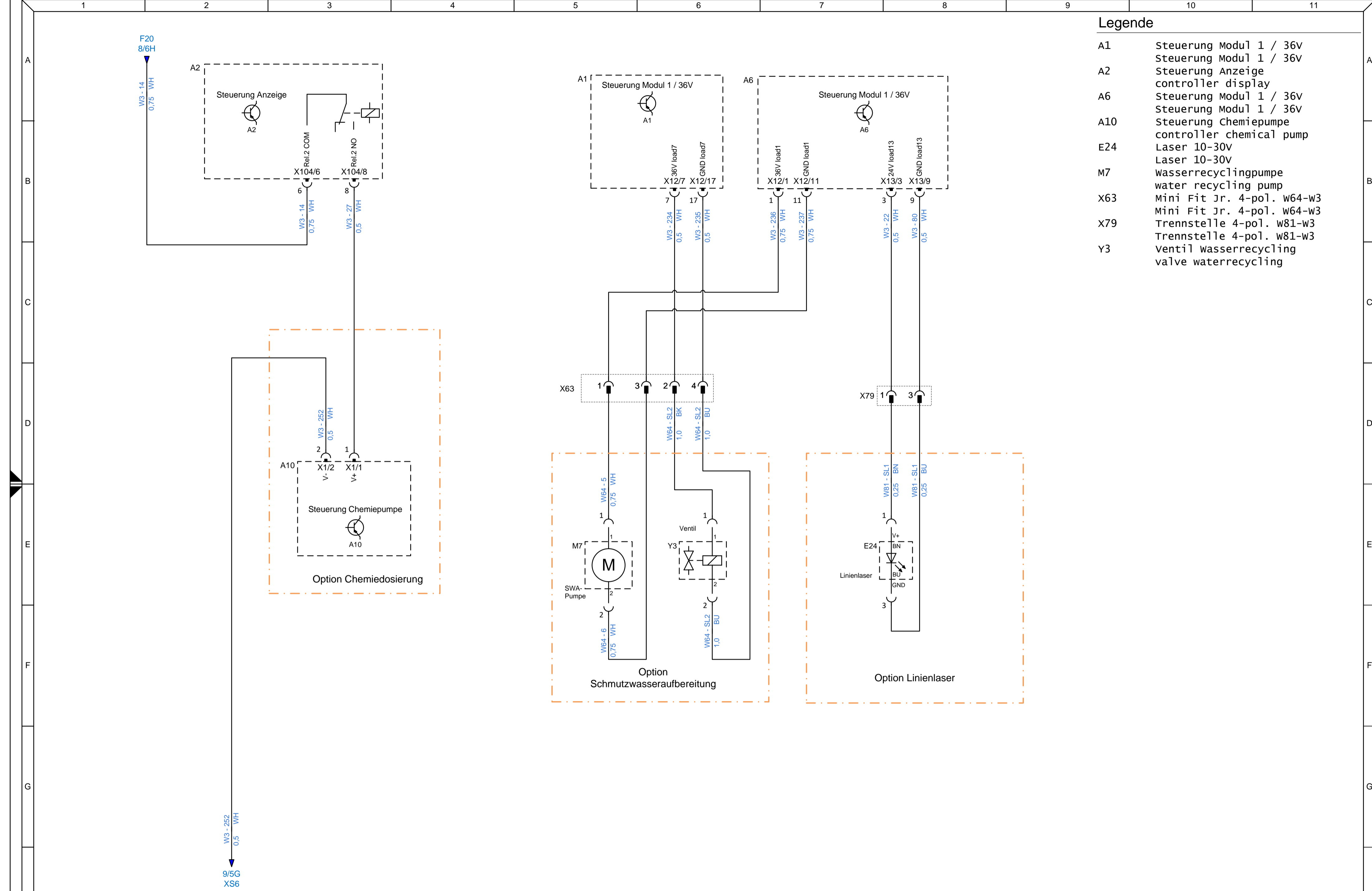


Nicht gesundheitsschädlich nach HN 01207

Freigabevermerk:		5	*/	4488-99	26.03.2024	Zi	Date	Name	B400R		Name		Schaltplan B400 R		Drawing Number		A2
		No.	Number appears	Change No.	Date	Name	Printed	27.03.2024		Replacement for		circuit diagram B400 R		For this drawing we reserve all rights (acc. DIN ISO 16016)		Engineering Base 7.2.0	
										91043968-4488-96		Type 7437 Dept. DS		No. of Sh.33	Sheet 23		



Hako GmbH
D-23840 Bad Oldesloe



Legende

- A1 Steuerung Modul 1 / 36V
- A2 Steuerung Modul 1 / 36V
- A2 Steuerung Anzeige controller display
- A6 Steuerung Modul 1 / 36V
- A10 Steuerung Chemiepumpe controller chemical pump
- E24 Laser 10-30V
- M7 Laser 10-30V
- M7 Wasserrecyclingpumpe water recycling pump
- X63 Mini Fit Jr. 4-pol. w64-w3
- X79 Mini Fit Jr. 4-pol. w64-w3
- X79 Trennstelle 4-pol. w81-w3
- Y3 Trennstelle 4-pol. w81-w3
- Y3 Ventil wasserrecycling valve waterrecycling

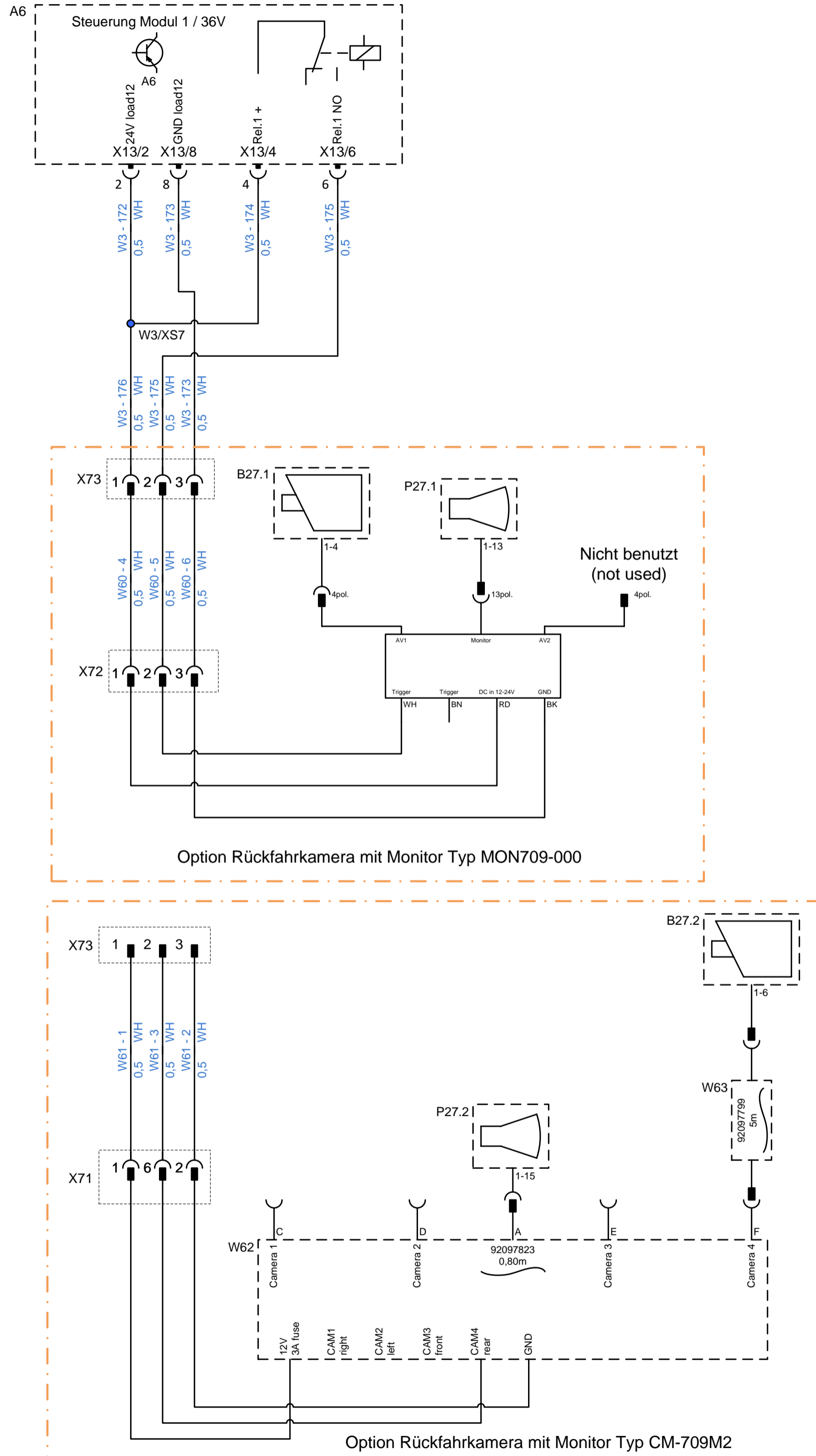
Nicht gesundheitsschädlich nach HN 01207

Freigabevermerk:		5	*/	4488-99	26.03.2024	Zi	Date	Name	B400R	Name	Schaltplan B400 R	Drawing Number		A2	
		No.	Number appears	Change No.	Date	Name	Printed	27.03.2024	6	Replacement for	91043968-4488-96	For this drawing we reserve all rights (acc. DIN ISO 16016)			
										Engineering Base 7.2.0		Type 7437	Dept. DS	No. of Sh. 33	Sheet 24



Legende

- A6 Steuerung Modul 1 / 36V
- B27.1 Kamera
camera
- B27.2 Kamera
camera
- P27.1 Monitor
display
- P27.2 Monitor
display
- W62 Monitorkabel 0,80m
cable monitor 0,80m
- W63 Kamerakabel-6pol. 5m
cable camera 6pol. 5m
- X71 Mini Fit Jr 8-pol.-W61
Mini Fit Jr 8-pol.-W61
- X72 6.3 Fastin Faston 3-pol.-W60
6.3 Fastin Faston 3-pol.-W60
- X73 6.3 Fastin Faston 3-pol. W61
6.3 Fastin Faston 3-pol. W61



Option Rückfahrkamera mit Monitor Typ MON709-000

Option Rückfahrkamera mit Monitor Typ CM-709M2

Nicht gesundheitsschädlich nach HN 01207

Freigabevermerk:

5	*/	4488-99	26.03.2024	Zi
No.	Number appears	Change No.	Date	Name
Printed	27.03.2024			

B400R

Replacement for
91043968-4488-96

Name Schaltplan B400 R
circuit diagram B400 R

For this drawing we reserve all rights (acc. DIN ISO 16016)

Hako
Hako GmbH
D-23840 Bad Odesioe

Drawing Number
91043968

No. of Sh.33 Sheet 25

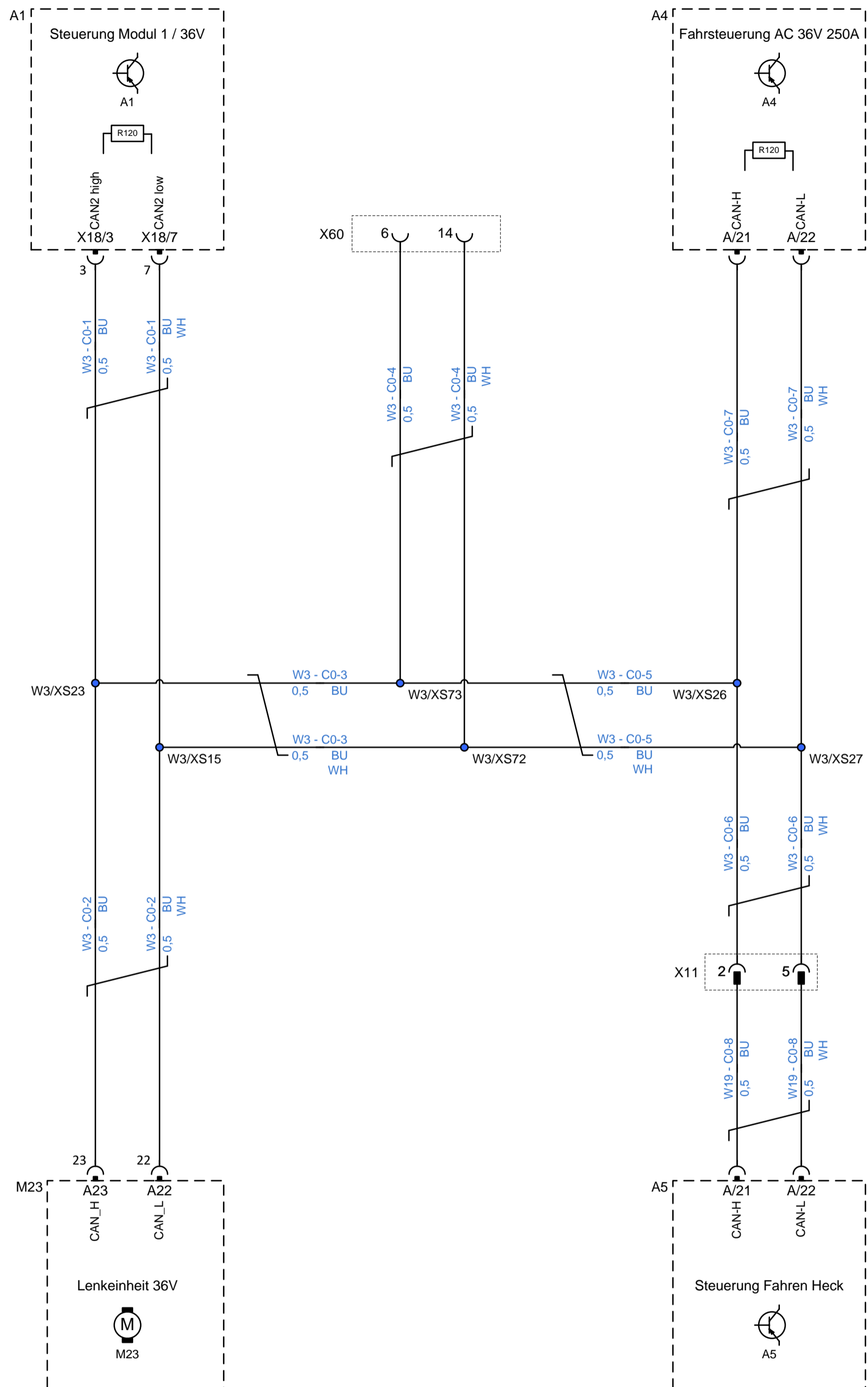
Engineering Base 7.2.0

Type 7437 Dept. DS

A2

Legende

- A1 Steuerung Modul 1 / 36V
- A4 Fahrsteuerung AC 36V 250A 36V/250A
- A5 Steuerung Fahren Heck 36V/250A drive controller rear 36V/250A
- M23 Lenkeinheit 36V steer by wire
- X11 Mini-Fit Jr. 8-pol. WS6
- X60 Diagnosestecker 16-pol.-W3 diagnostic plug 16-pol.-W3



Nicht
gesundheitsschädlich
nach HN 01207

Freigabevermerk:

5	*/	4488-99	26.03.2024	Zi	Date	Name
No.	Number appears	Change No.	Date	Name	Printed	27.03.2024

B400R

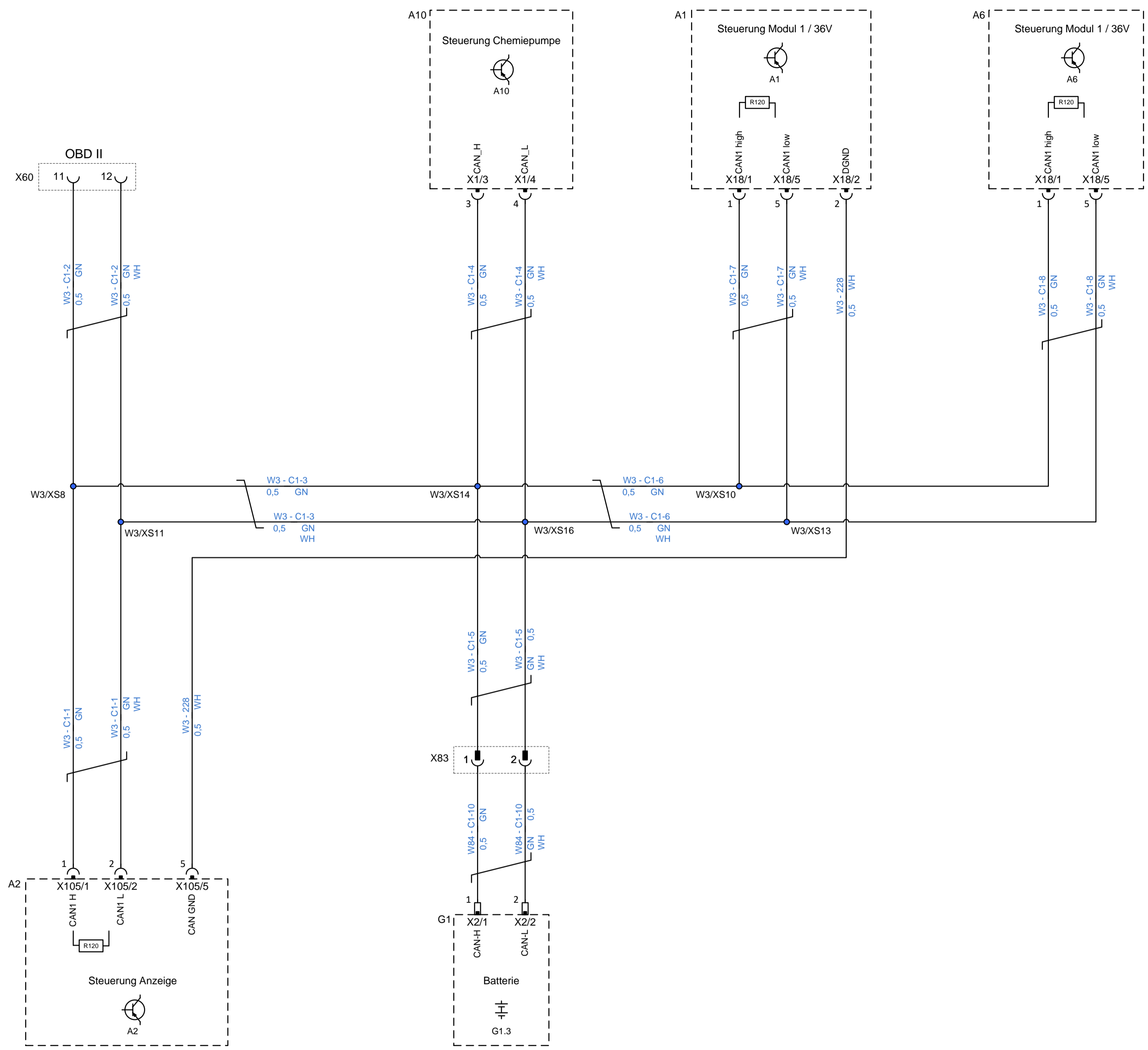
Replacement for
91043968-4488-96

Name **Schaltplan B400 R (Fahren; Lenkung)**
circuit diagram B400 R (Fahren; Lenkung)



Drawing Number
91043968

For this drawing we reserve all rights (acc. DIN ISO 16016) Engineering Base 7.2.0 Type 7437 Dept. DS No. of Sh.33 Sheet 26



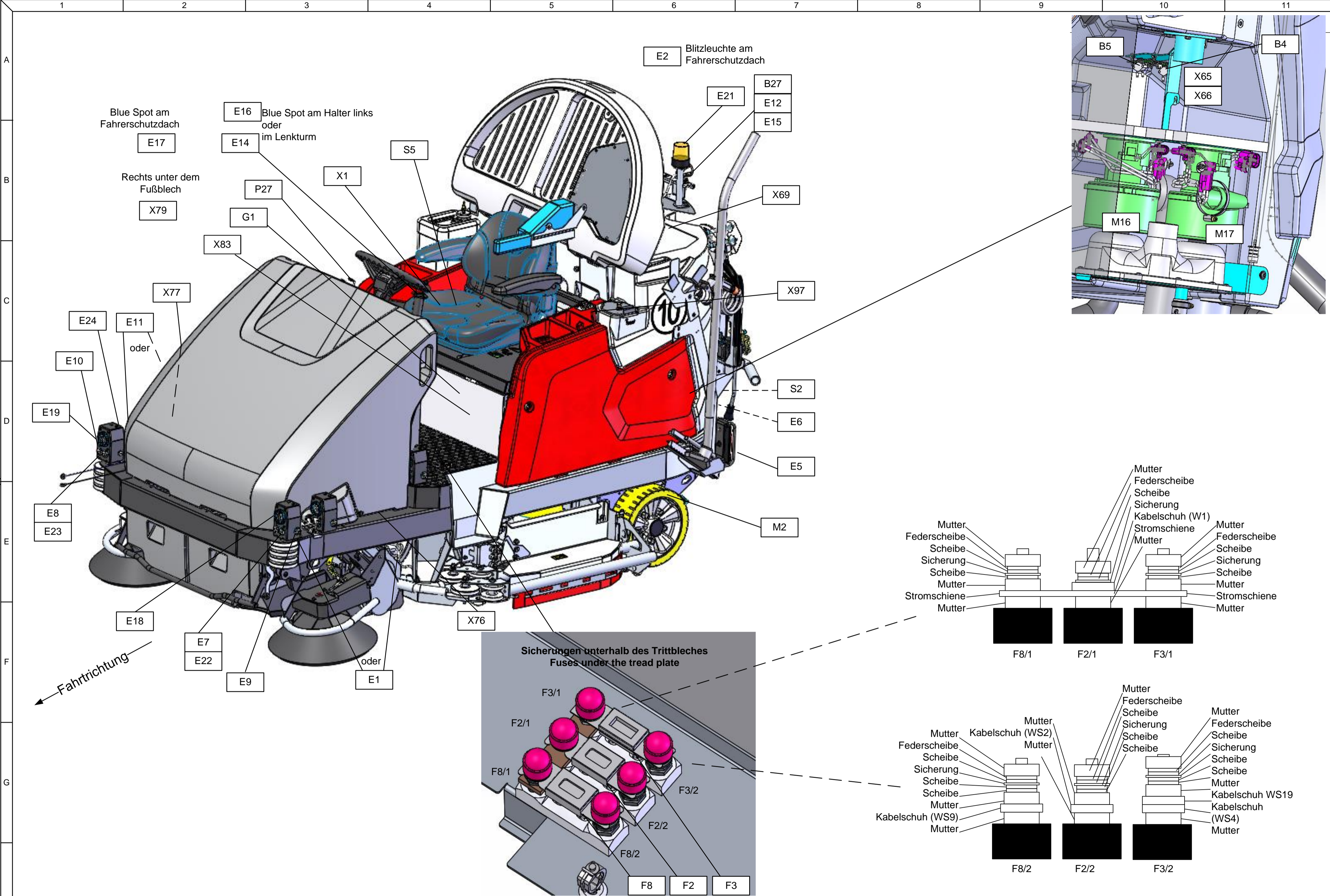
Legende	
A1	Steuerung Modul 1 / 36V
A2	Steuerung Anzeige controller display
A6	Steuerung Modul 1 / 36V
A10	Steuerung Chemiepumpe controller chemical pump
G1.3	Batterie battery
X60	Diagnosestecker 16-pol.-w3 diagnostic plug 16-pol.-w3
X83	Trennstelle SOW siehe FAW2041 2-pol. w Trennstelle SOW siehe FAW2041 2-pol. w

Nicht gesundheitsschädlich nach HN 01207

Freigabevermerk:		5	*/	4488-99	26.03.2024	Zi	Date	Name	B400R	Name	Schaltplan B400 R (Chemie; Steuerung)	Drawing Number	A2	
		No.	Number appears	Change No.	Date	Name	Printed	27.03.2024			Replacement for	91043968-4488-96		
For this drawing we reserve all rights (acc. DIN ISO 16016)										Engineering Base 7.2.0	Type 7437	Dept. DS	No. of Sh.33	Sheet 27



Hako GmbH
D-23840 Bad Oldesloe



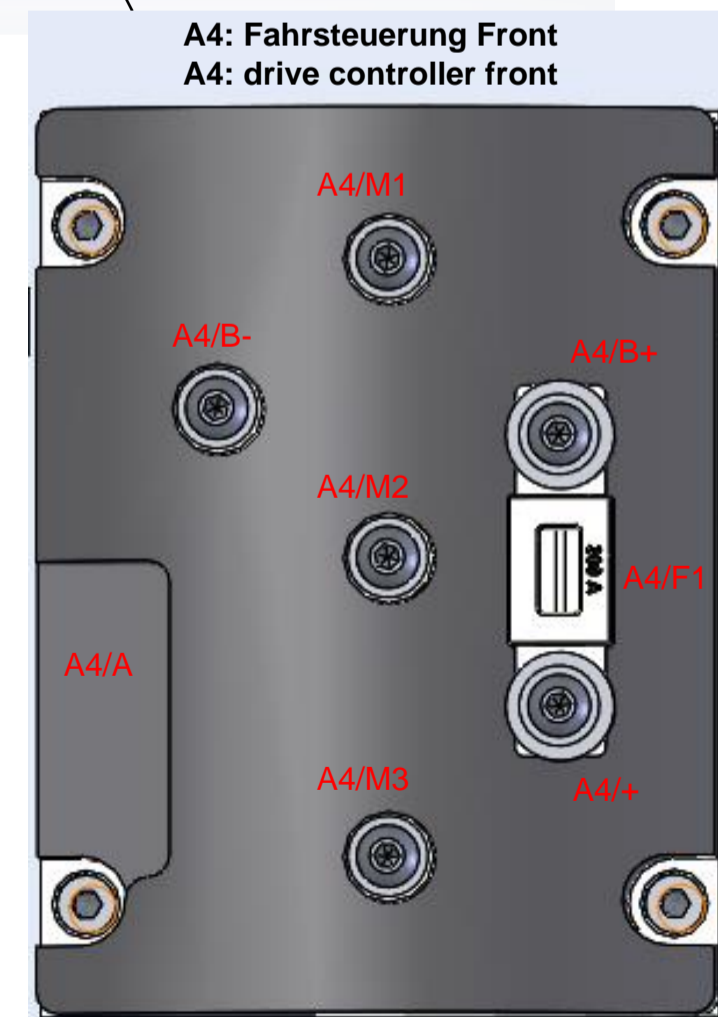
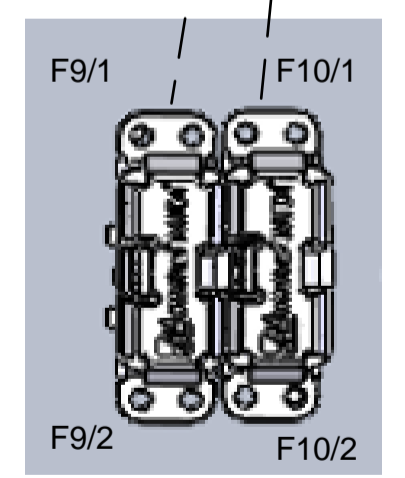
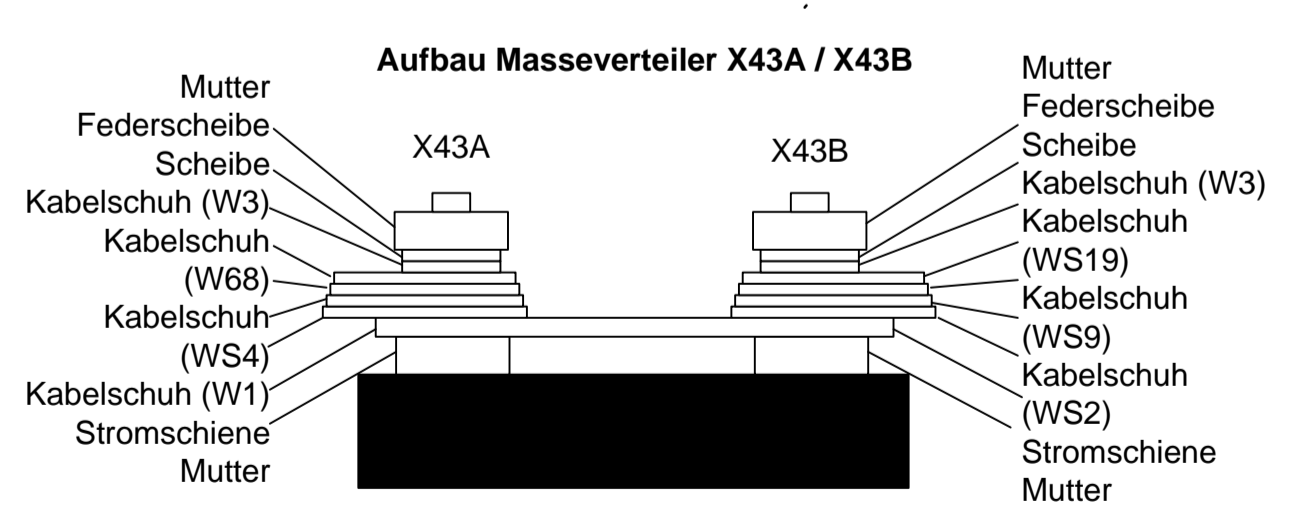
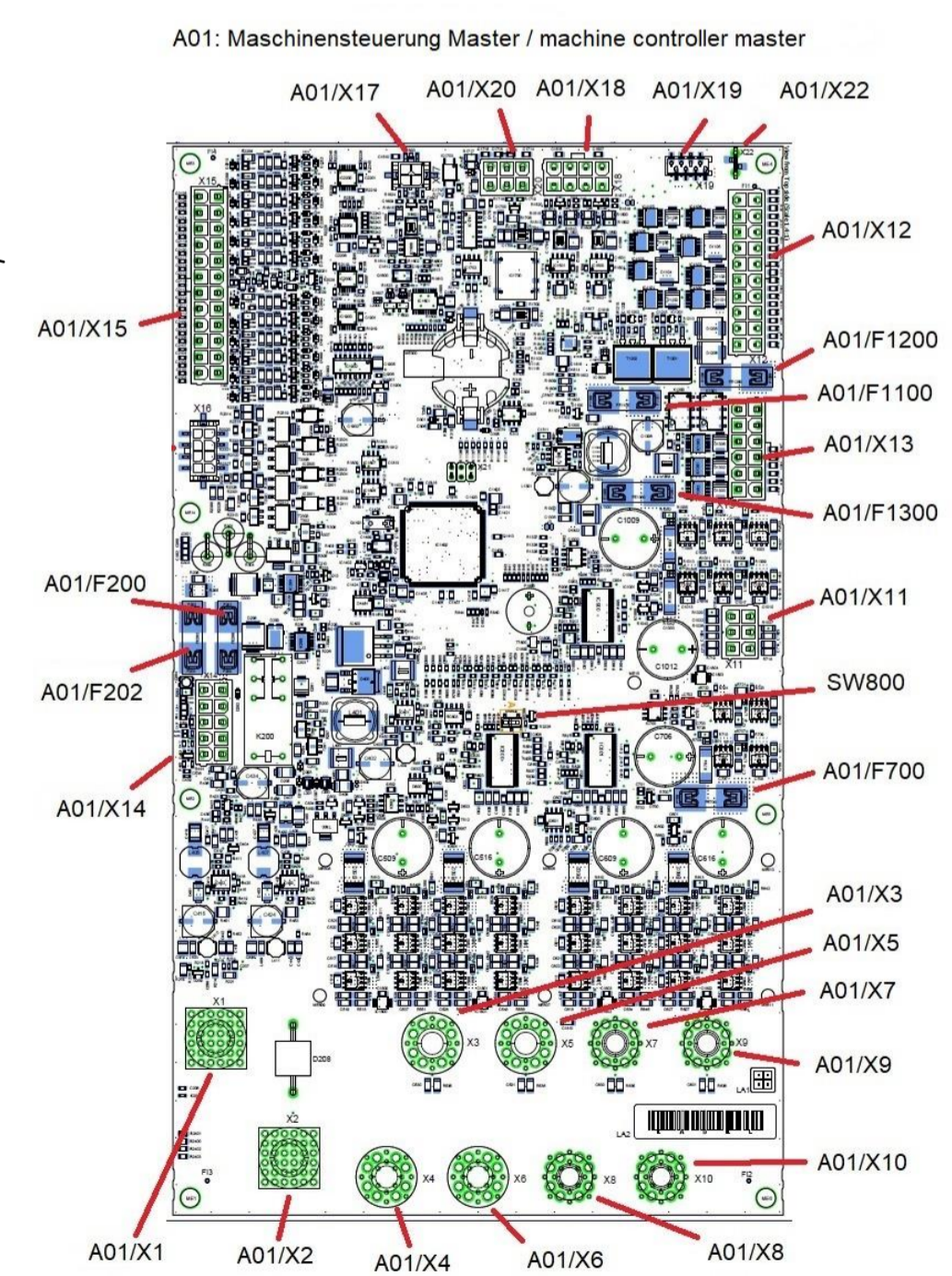
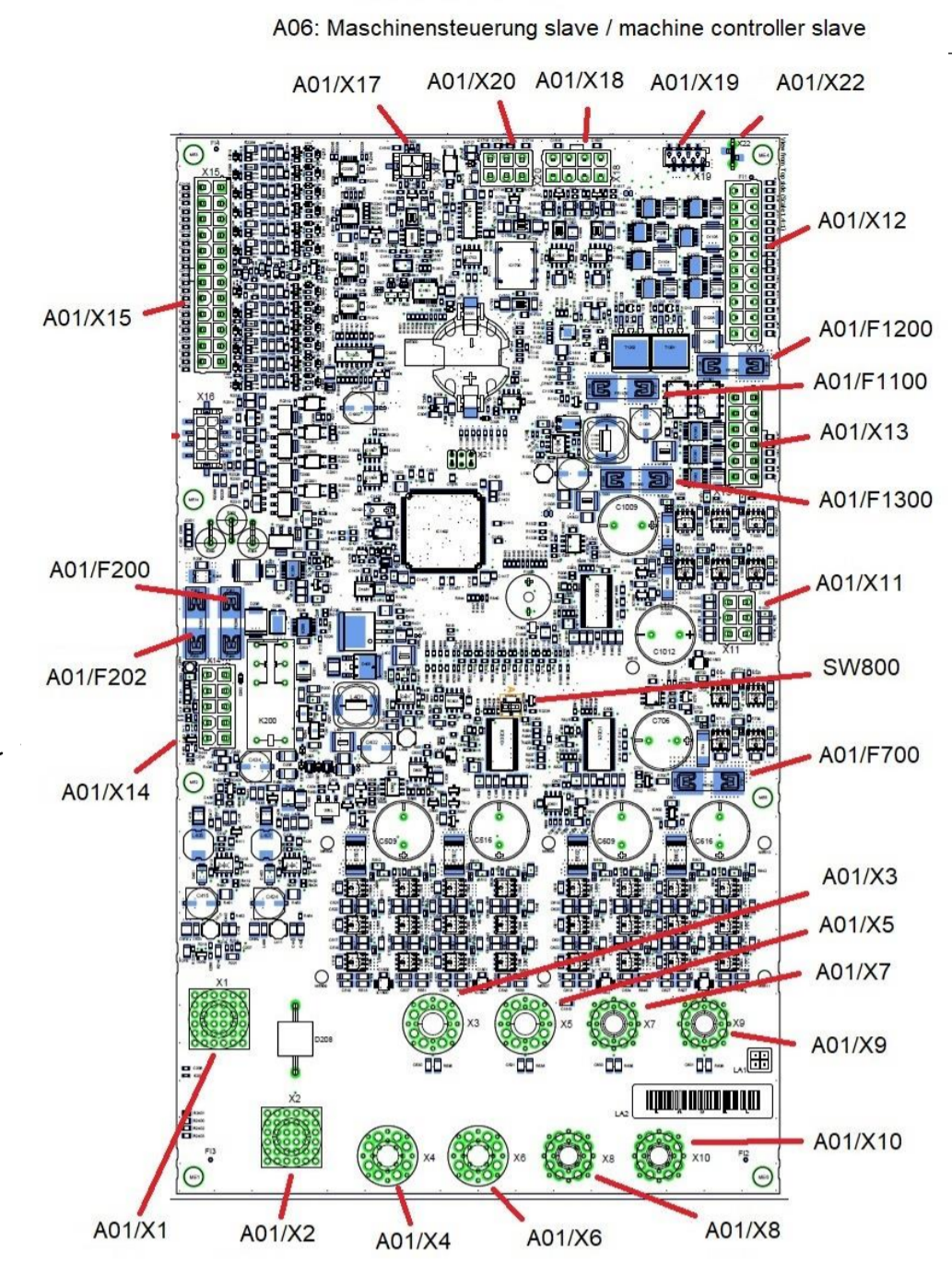
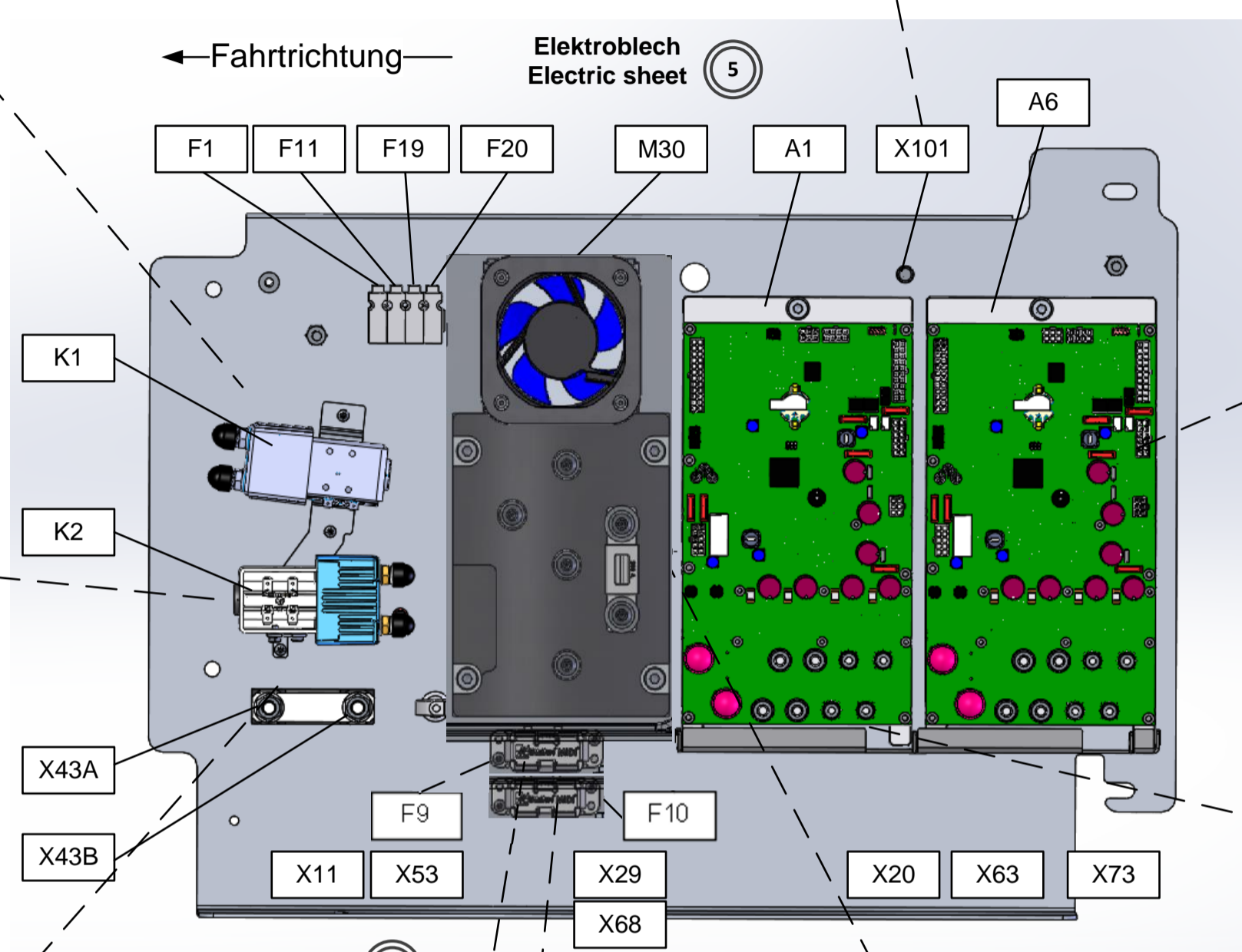
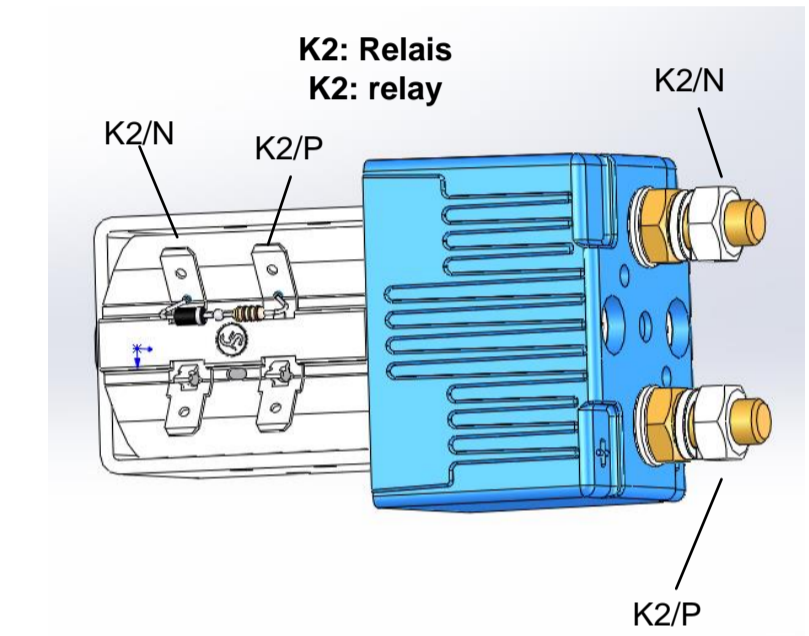
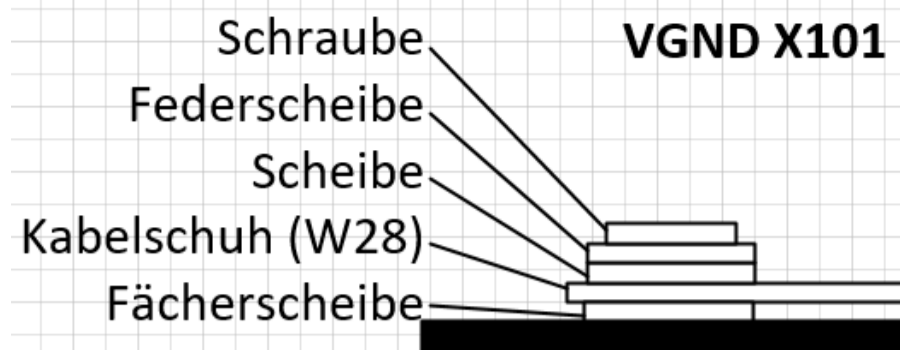
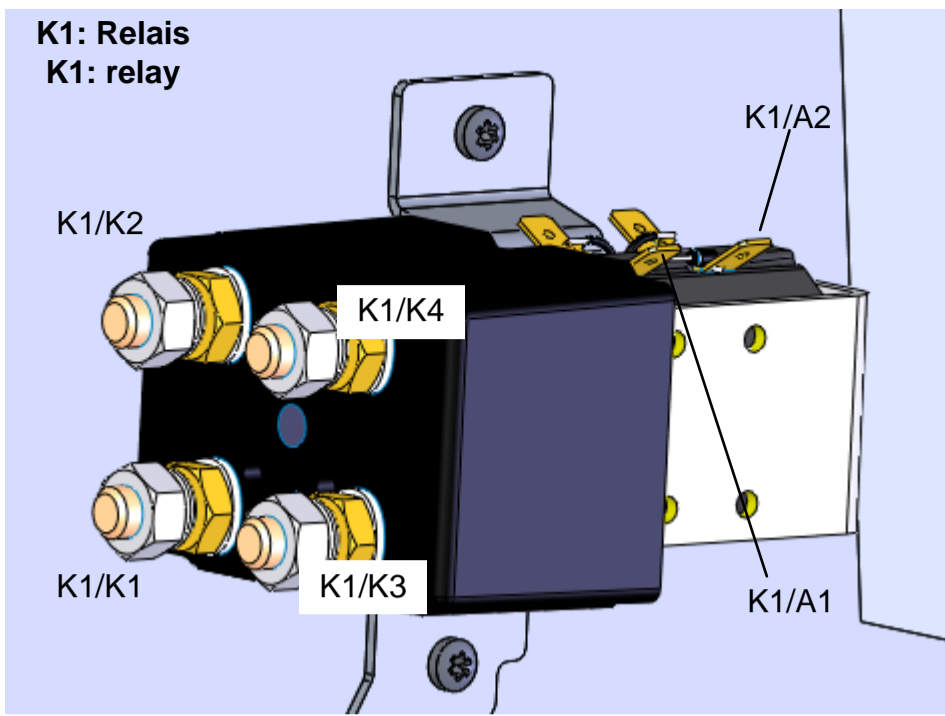
Fahrtrichtung

Sicherungen unterhalb des Trittleches
Fuses under the tread plate

Nicht gesundheitsschädlich nach HN 01207

Freigabevermerk:		5	*/	4488-99	26.03.2024	Zi	Date	Name	B400R	Name	Schaltplan B400 R	Drawing Number		A2
							Drawn	11.12.2019	Ri	Replacement for		91043968-4488-96		
		No.	Number appears	Change No.	Date	Name	Printed	27.03.2024		For this drawing we reserve all rights (acc. DIN ISO 16016)		Engineering Base 7.2.0	Type 7437	Dept. DS
												No. of Sh.33	Sheet 28	

Hako
Hako GmbH
D-23840 Bad Oldesloe

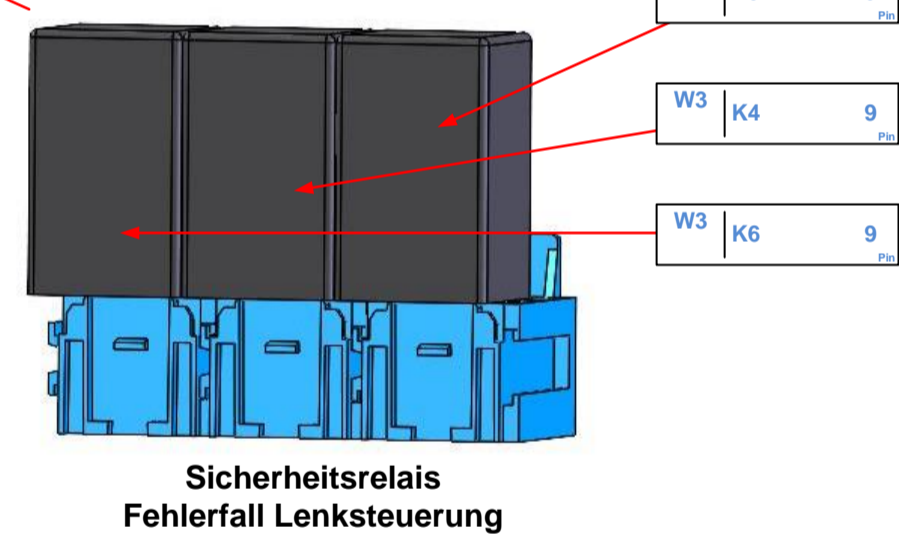
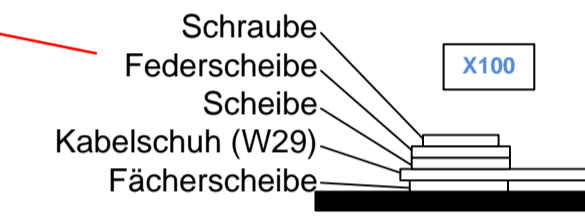
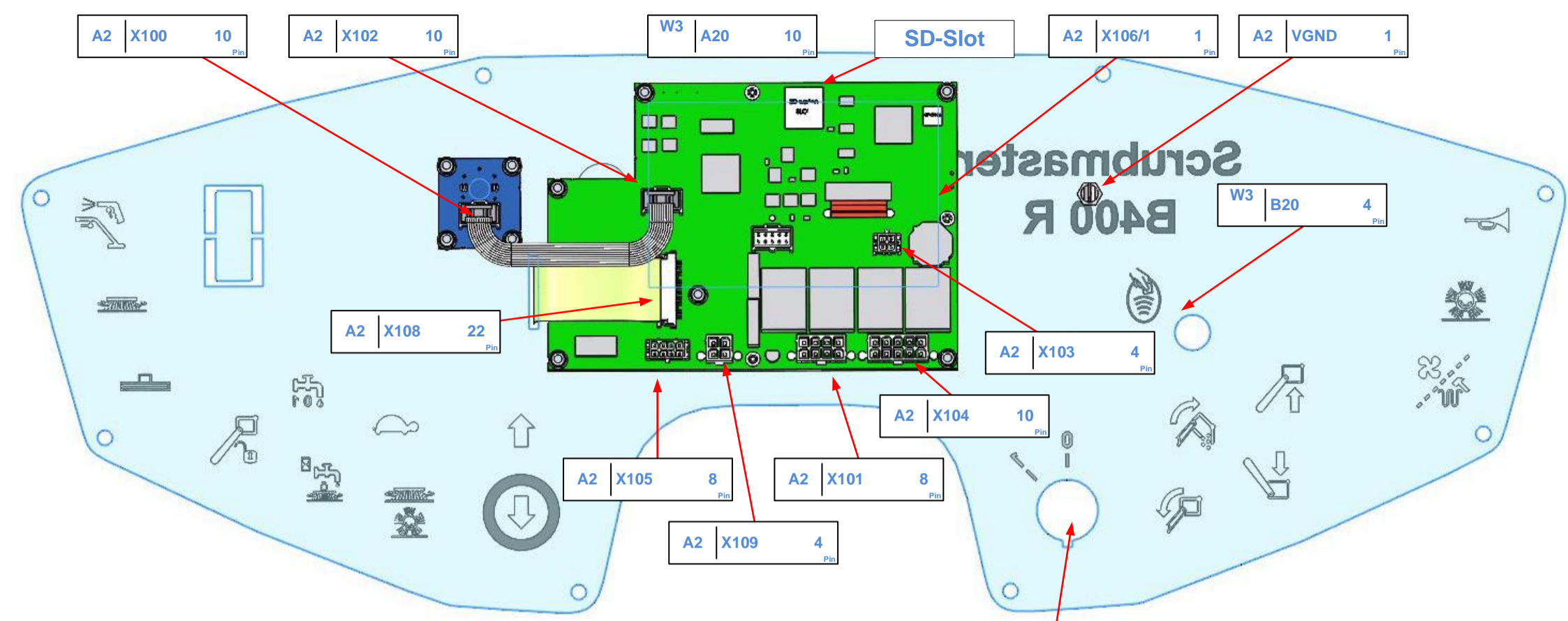


Nicht gesundheitsschädlich nach HN 01207

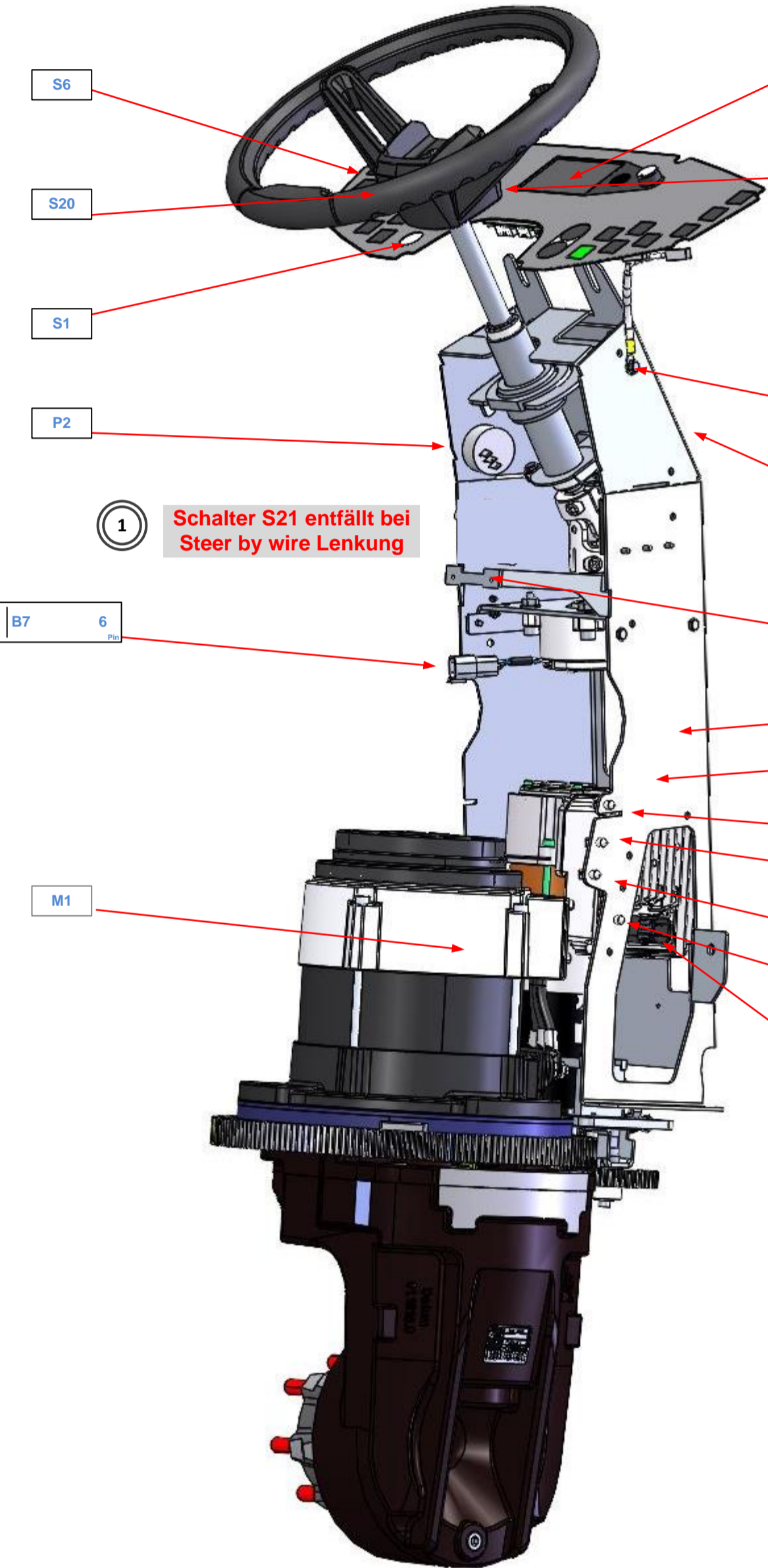
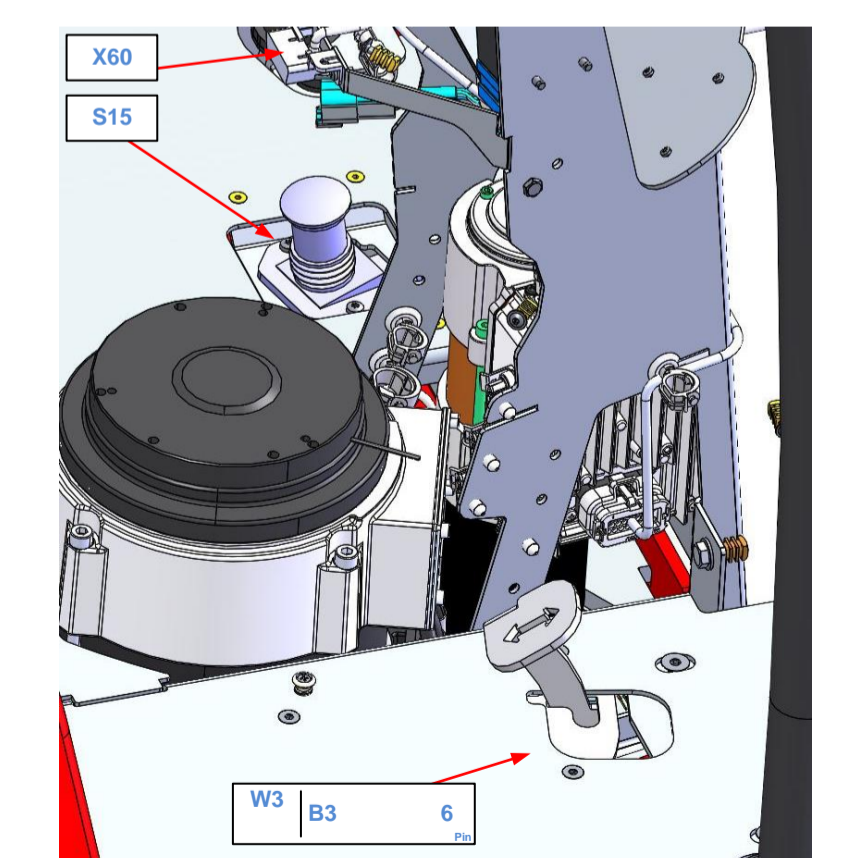
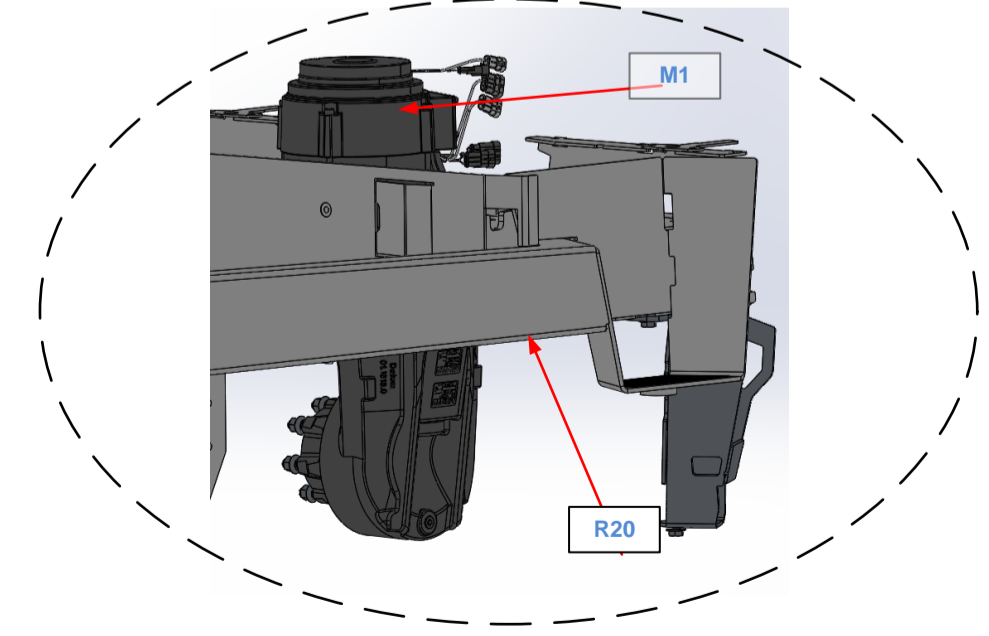
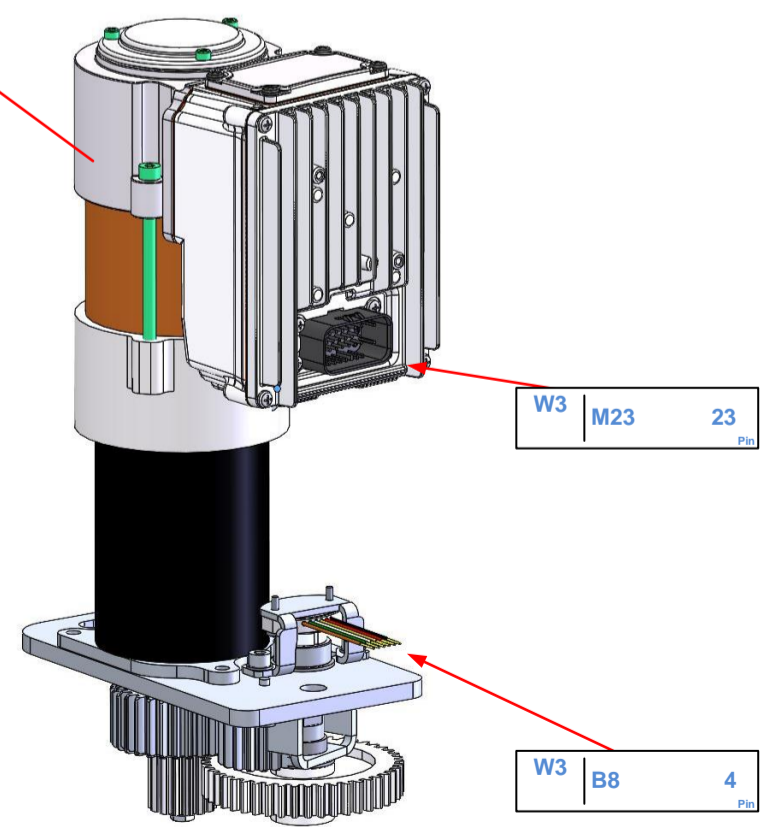
Freigabevermerk:		5	*/	4488-99	26.03.2024	Zi	Date	Name	B400R	Name	Schaltplan B400 R	Drawing Number	A2
		No.	Number appears	Change No.	Date	Name	Printed	27.03.2024	5	Replacement for	circuit diagram B400 R	91043968	
										For this drawing we reserve all rights (acc. DIN ISO 16016)		Engineering Base 7.2.0	
										Type 7437		Dept. DS	
										No. of Sh.33		Sheet 29	

Hako
Hako GmbH
D-23840 Bad Oldesloe

A2: Bedienfeld Steuerung (auf Rückseite)
A2: panel controller (rear side)



- W3 X60 16
- W3 W80 X80 2
- R200 **R200 auf Stecker M1X4 stecken**
- W3 M1/X3 2
- W3 M1/X2 3
- W3 M1/X1 4
- W3 B8 4



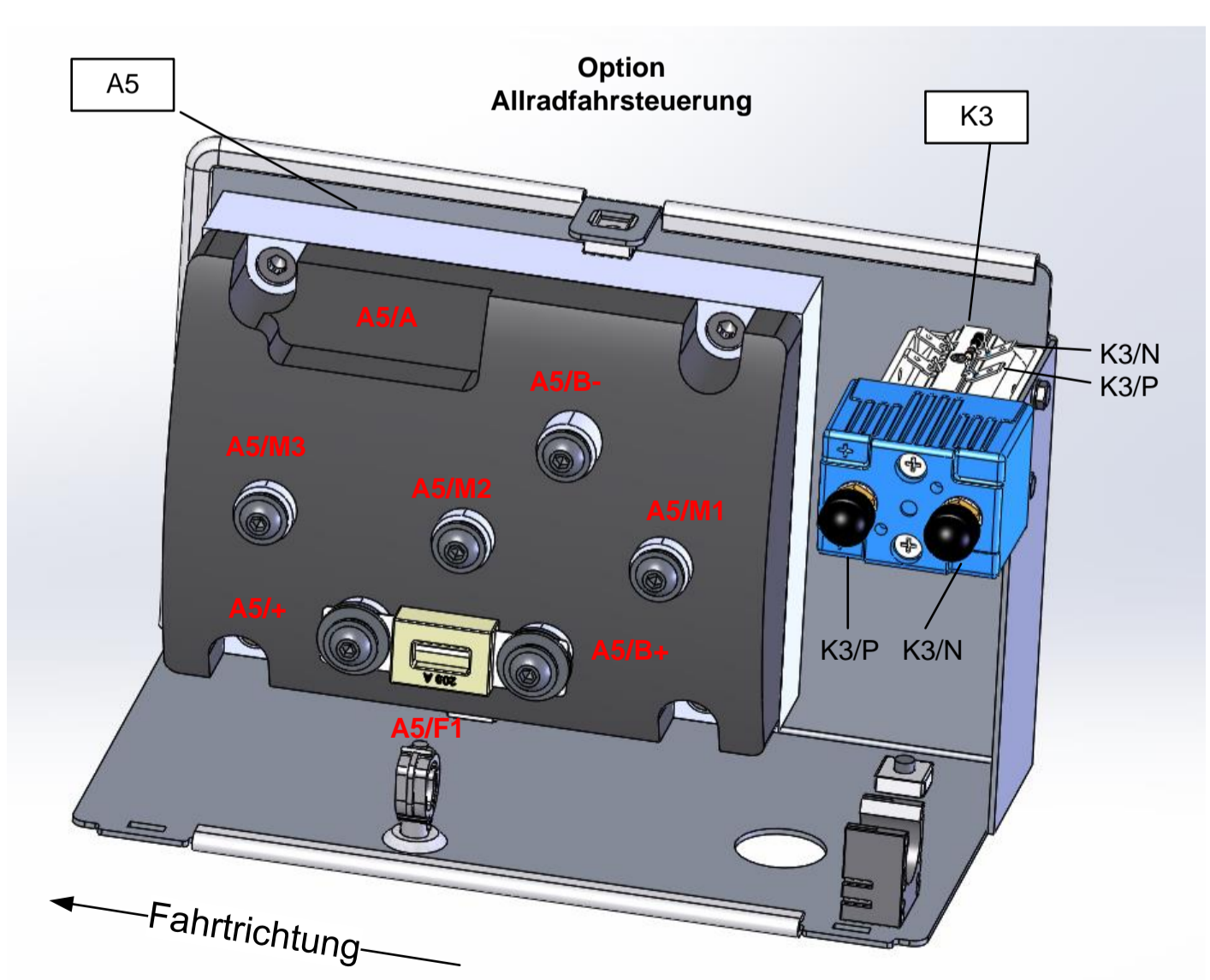
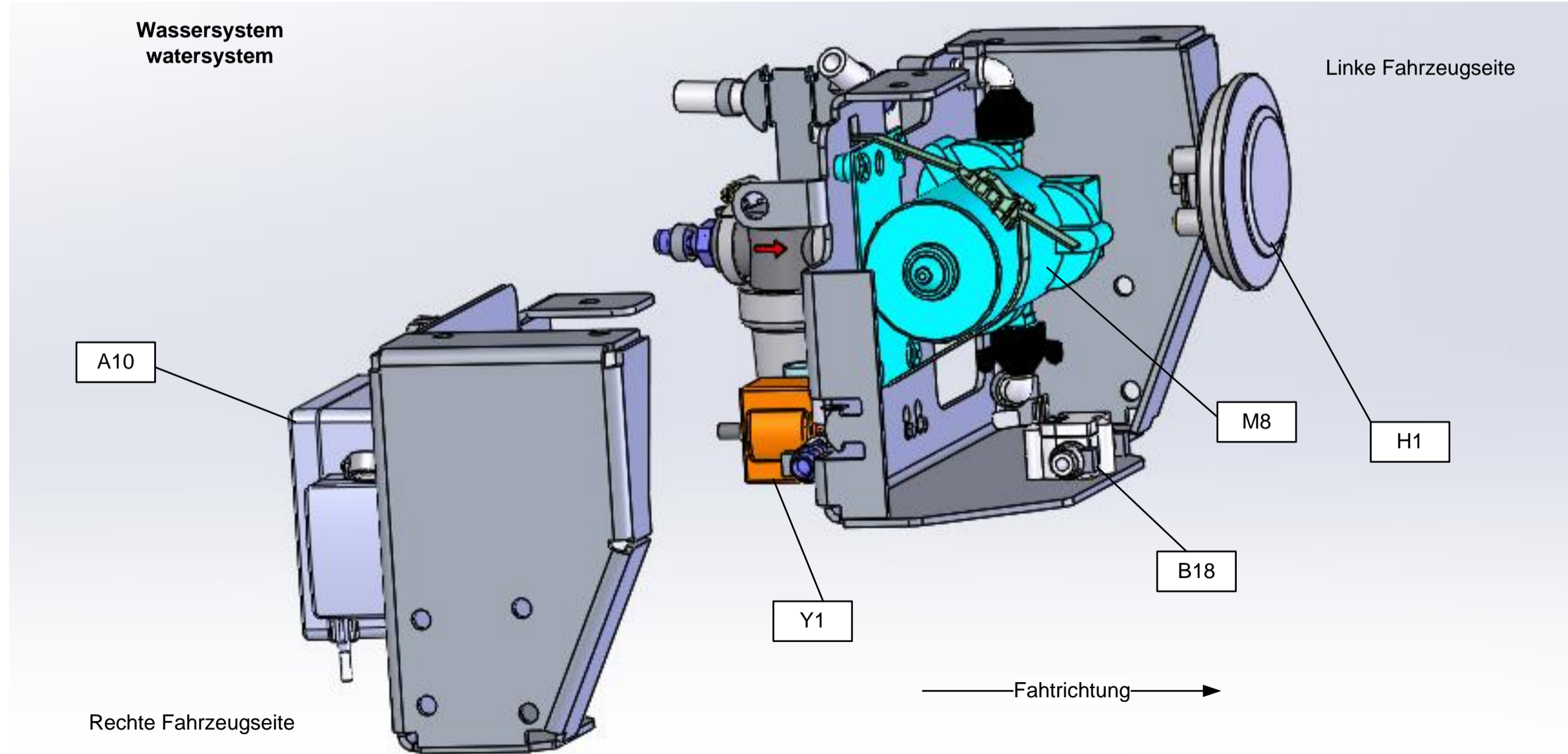
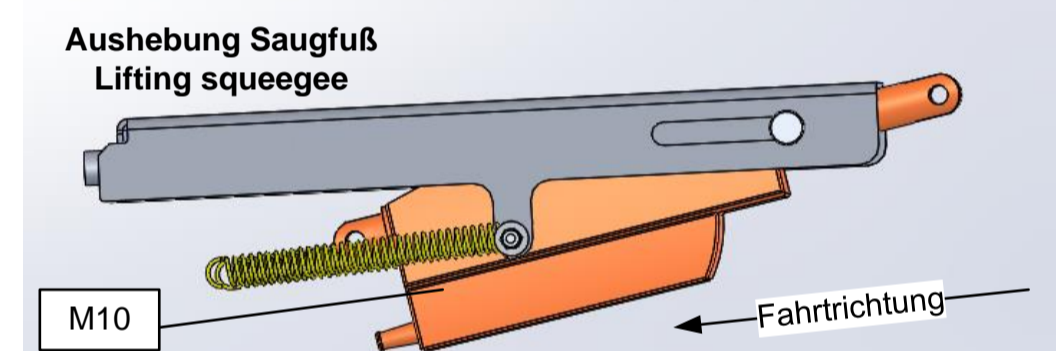
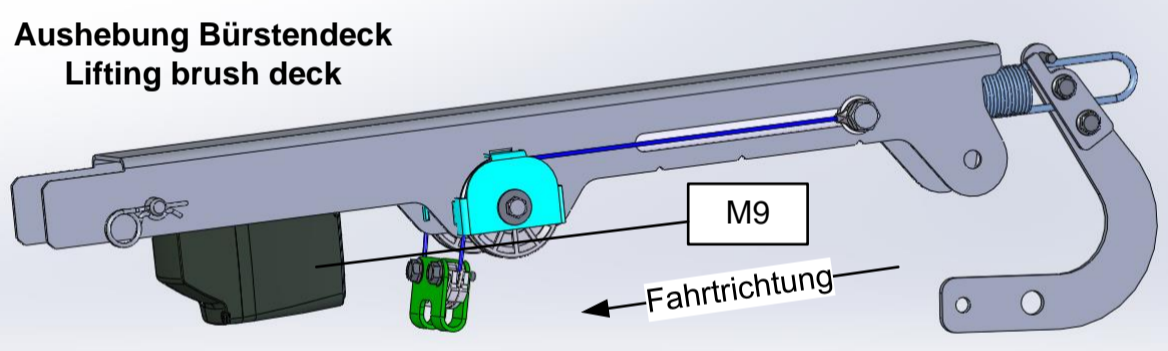
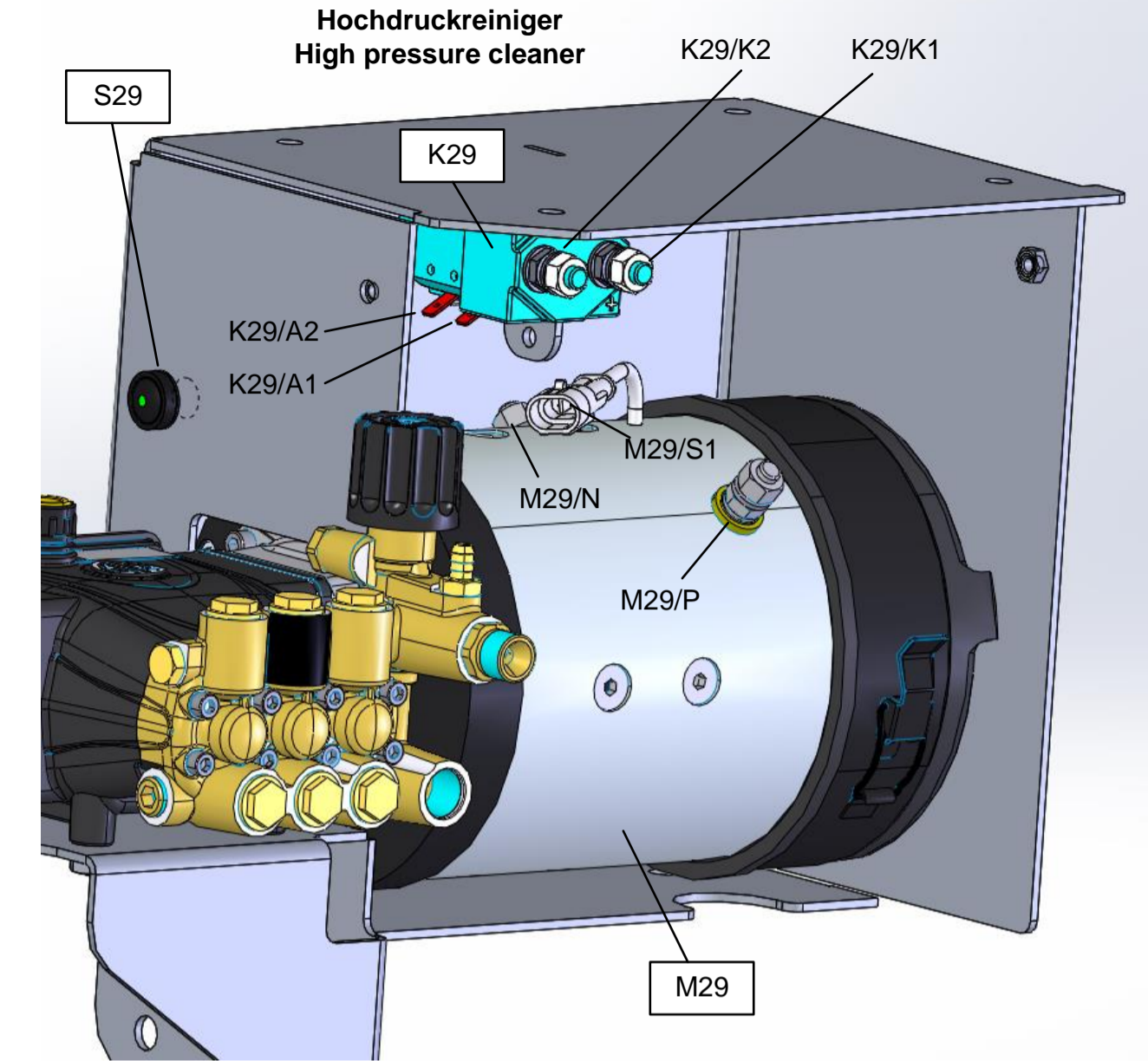
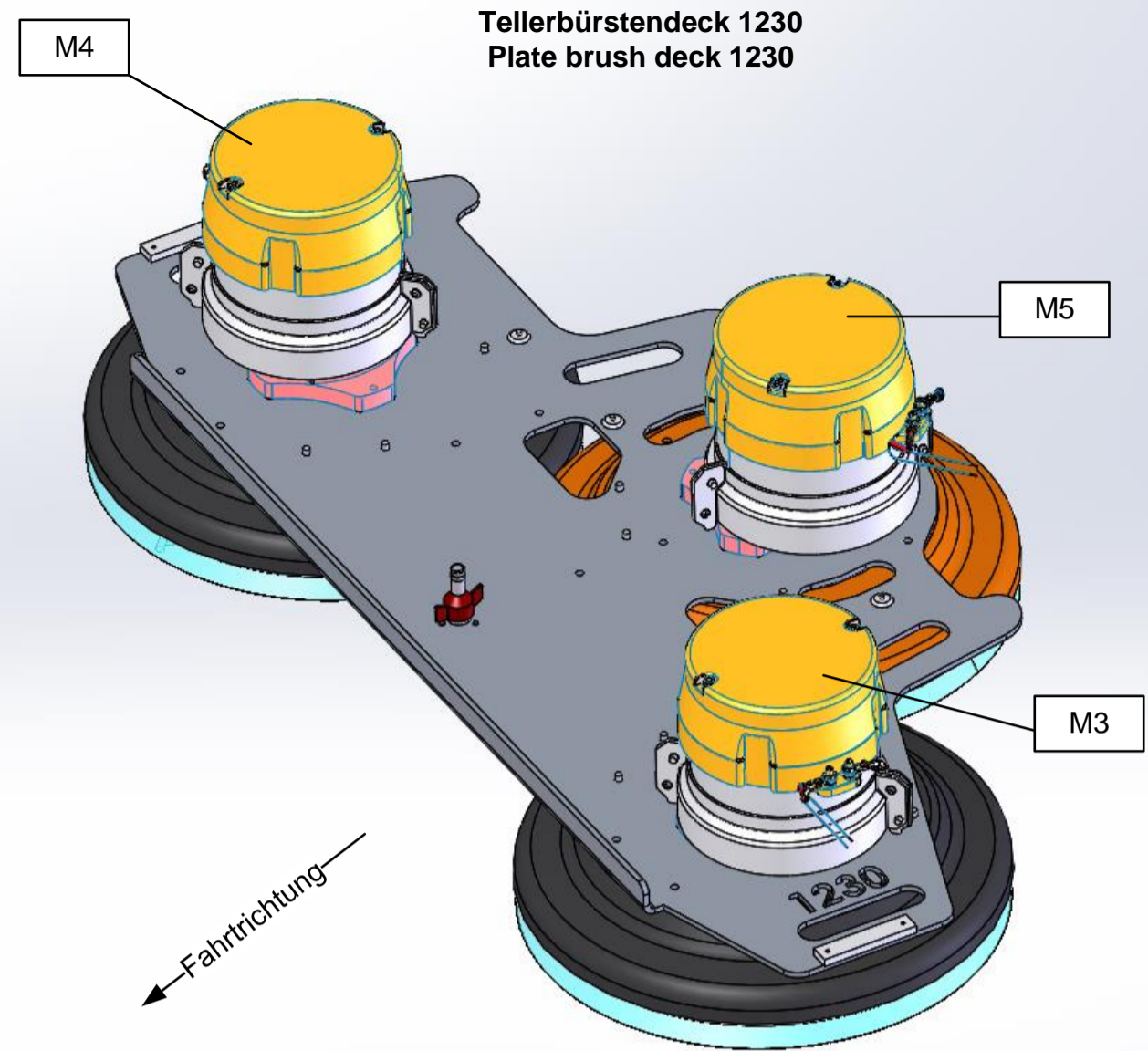
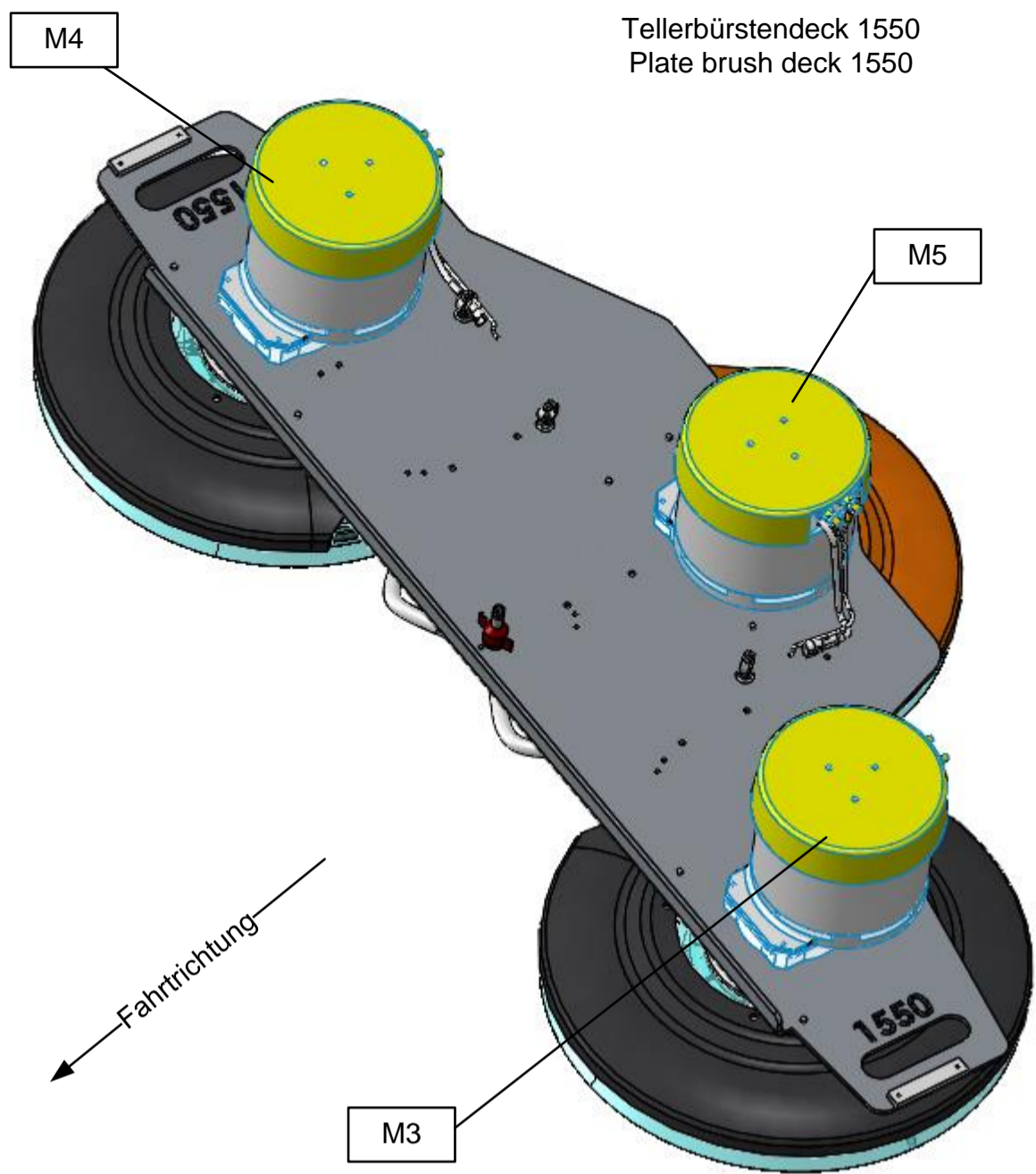
1 **Schalter S21 entfällt bei Steer by wire Lenkung**

Freigabevermerk:		5	1x	4488-99	26.03.2024	Zi	Date	Name	B400R	Name	Schaltplan B400 R	Drawing Number		A2
		No.	Number appears	Change No.	Date	Name	Printed	27.03.2024	11.09.2023	Zi	Replacement for	91043968		
									91043968-4488-96		For this drawing we reserve all rights (acc. DIN ISO 16016)		Engineering Base 7.2.0	Sheet 30
										Type 7437 Dept. DS		No. of Sh.33		

Nicht gesundheitsschädlich nach HN 01207



Hako GmbH
D-23840 Bad Odesloe

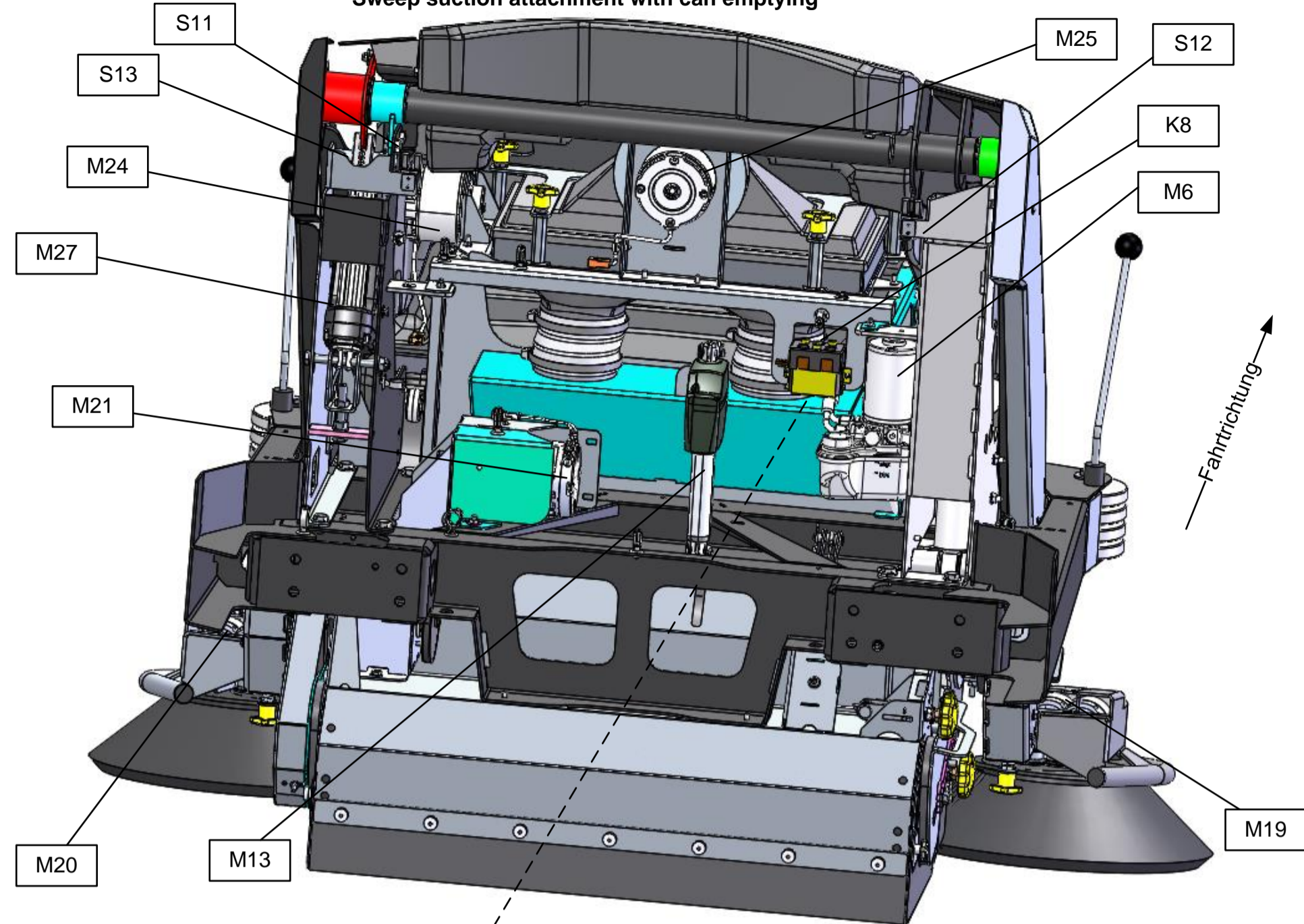


Nicht gesundheitsschädlich nach HN 01207

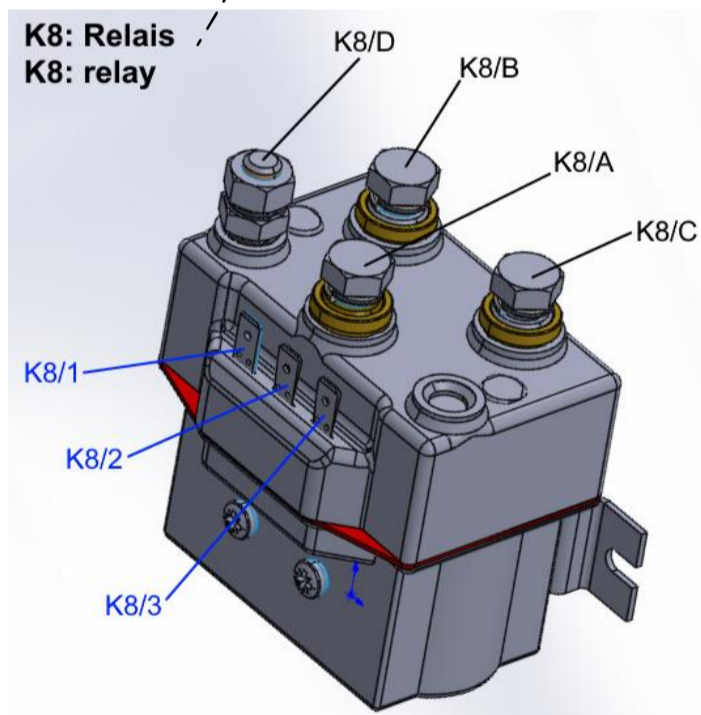
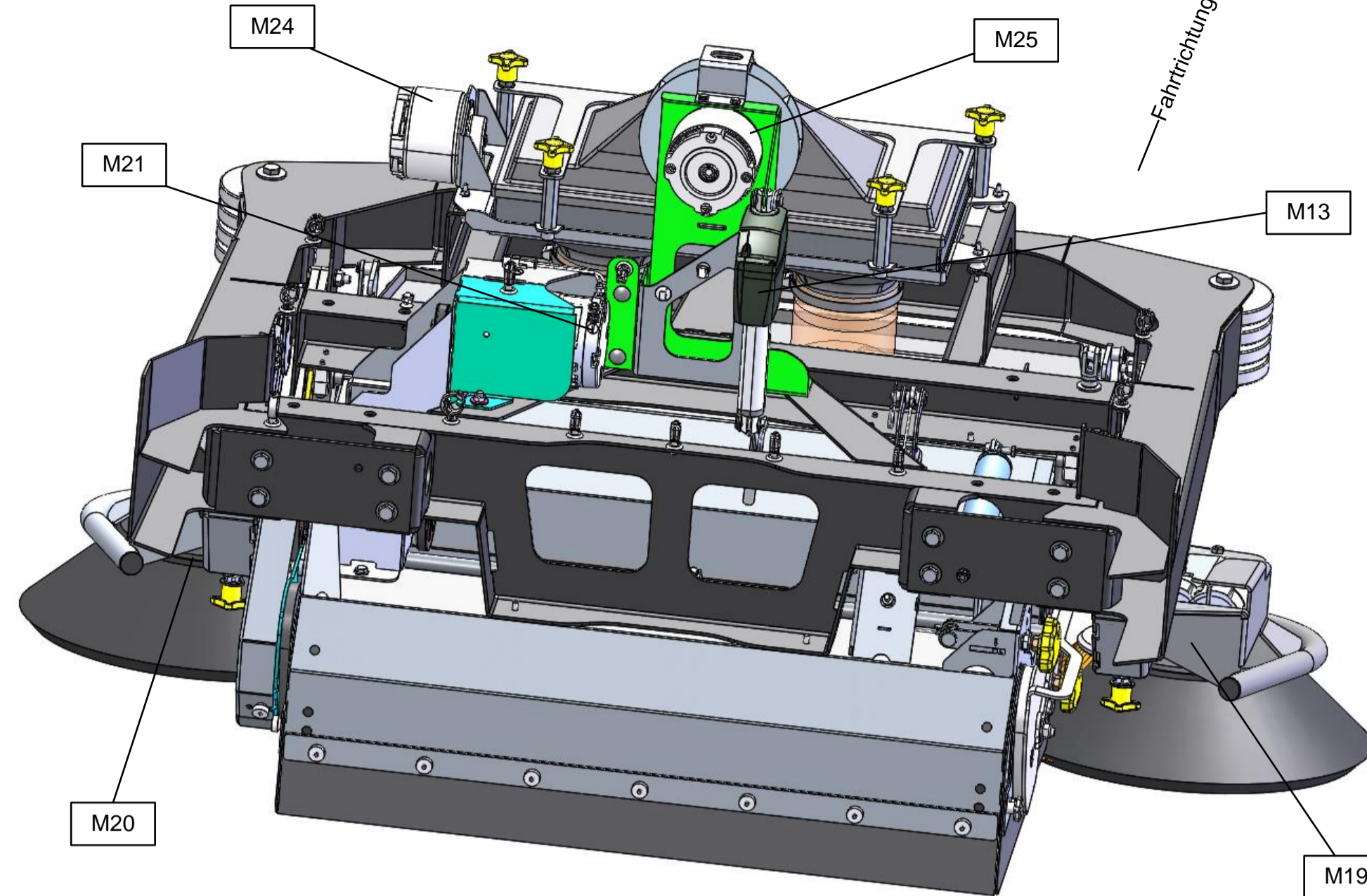
Freigabevermerk:		5	*/	4488-99	26.03.2024	Zi	Date	Name	B400R	Name	Schaltplan B400 R	Drawing Number	A2
No.	Number appears	Change No.	Date	Name	Printed	27.03.2024	08.11.2019	Ri	Replacement for	91043968-4488-96	For this drawing we reserve all rights (acc. DIN ISO 16016)	Engineering Base 7.2.0	Type 7437
											Dept. DS	No. of Sh. 33	Sheet 31

Hako
Hako GmbH
D-23840 Bad Oldesloe
Drawing Number
91043968

Kehr-Saugvorsatz mit Hochentleerung
Sweep suction attachment with can emptying



Kehr-Saugvorsatz
Sweep suction attachment



Nicht
gesundheitsschädlich
nach HN 01207

Freigabevermerk:

5	*/	4488-99	26.03.2024	Zi	Date	Name
No.	Number appears	Change No.	Date	Name	Printed	27.03.2024

B400R

Replacement for
91043968-4488-96

Name **Schaltplan B400 R**
circuit diagram B400 R

For this drawing we reserve all rights (acc. DIN ISO 16016)

Engineering Base 7.2.0



Hako GmbH
D-23840 Bad Oldesloe

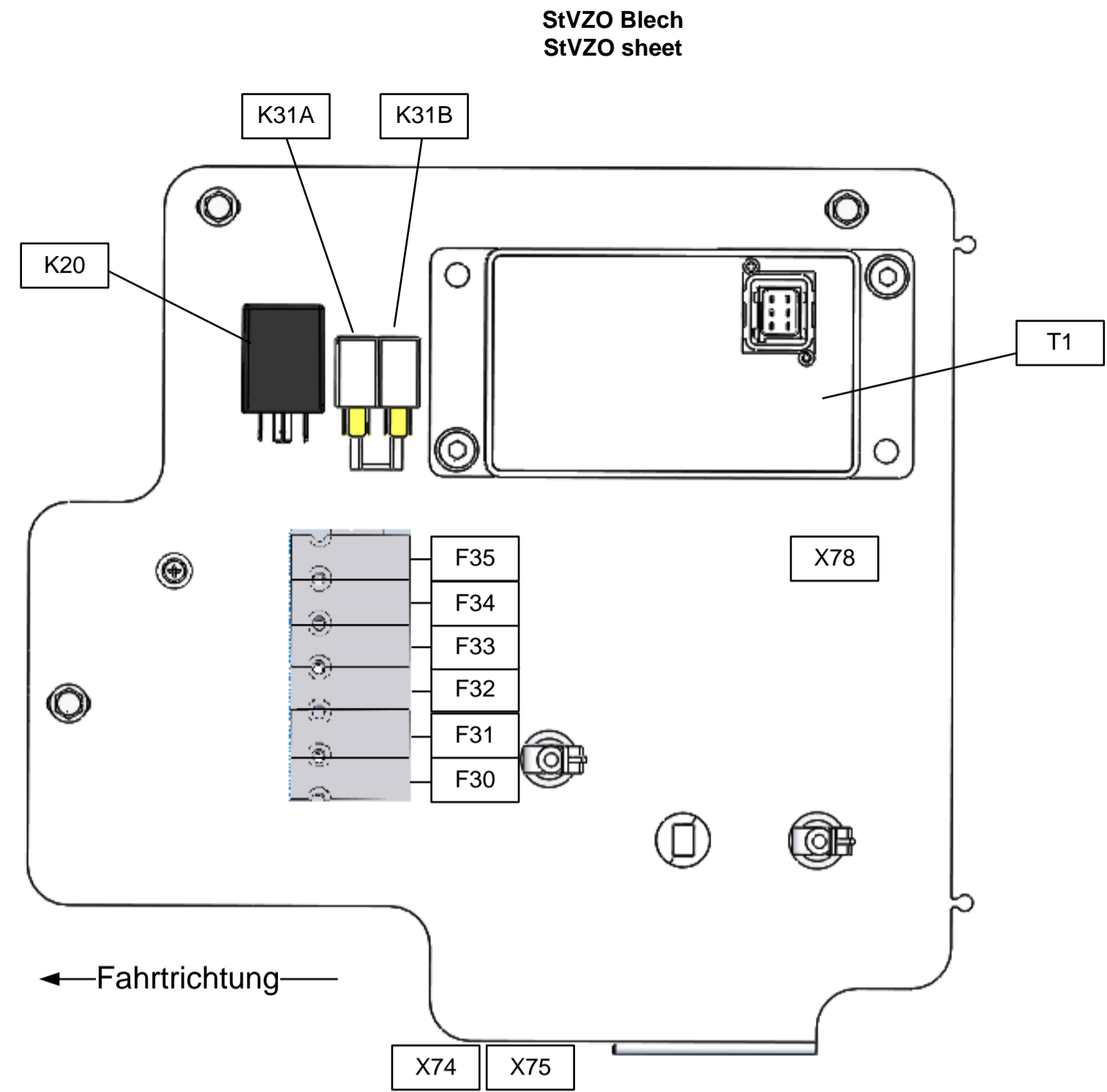
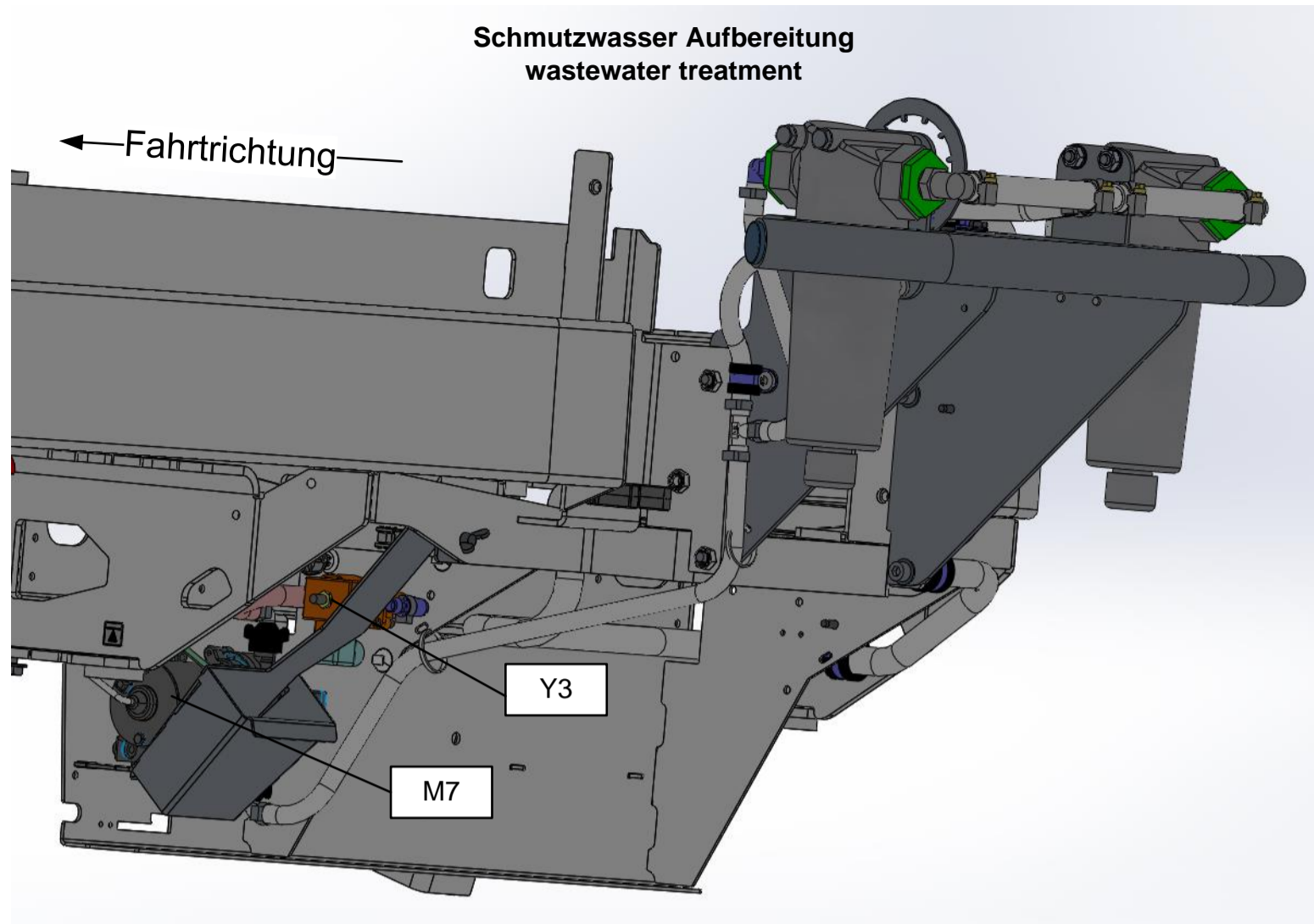
Drawing Number


91043968

No. of Sh. 33

Sheet 32

A2




 Nicht gesundheitsschädlich nach HN 01207

Freigabevermerk:		5	*/	4488-99	26.03.2024	Zi	Date	Name	B400R	Name	Schaltplan B400 R	Drawing Number		A2
							Drawn	03.12.2020	Ri	Replacement for	circuit diagram B400 R	91043968		
							Verified			91043968-4488-96		No. of Sh.33		Sheet 33
		No.	Number appears	Change No.	Date	Name	Printed	27.03.2024		For this drawing we reserve all rights (acc. DIN ISO 16016)		Engineering Base 7.2.0	Type 7437	Dept. DS

